

SYRIS Xtive RFID TAG

User Manual



Version 2.5
2014/07/15

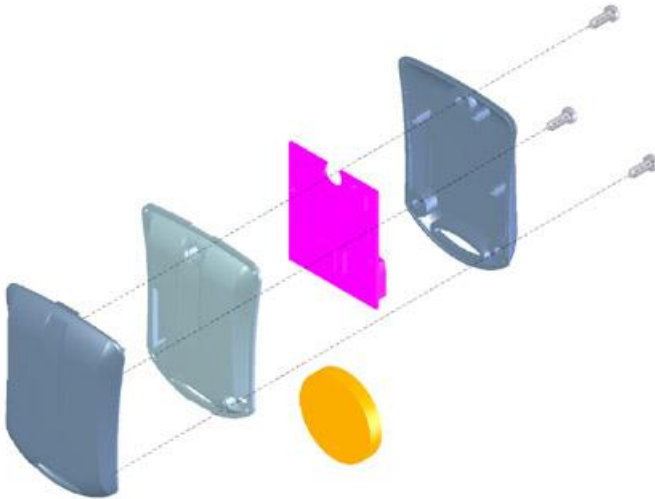
Index

A · SYTAG245-2S/2S-V Tag	2
B · SYTAG245-2K/2K-V Tag	4
C · SYTAG245-2C Card Tag	6
D · SYTAG245-TM-A Wristband Tag	8
E · SYTAG245-TM-B Wristband Tag	10
F · SYTAG245-HT Temperature and Humidity Sensor Tag	12
G · SYTAG245-2F1 Rugged RFID Tag	14
H · SYTAG245-2F5 Tamper-Detect Asset Tag	16
I · SYTAG245-2X RFID Flash Tag	18
J · SYTAG245-NL Pendant tag with IR temperature sensor	20
K · SYTAG245-NW Wristband tag with IR temperature sensor	22
L · SYTAG245-SL Pendant tag	24
M · SYTAG245-SW Wristband tag	26
N · SYTAG245-2CL1 Locating Card TAG	28
O · SYTAG245-PL2 Vehicle tracking TAG	29
P · SYTAG245-2F6 compact asset tag	31

A、SYTAG245-2S/2S-V Tag



1. Diagram

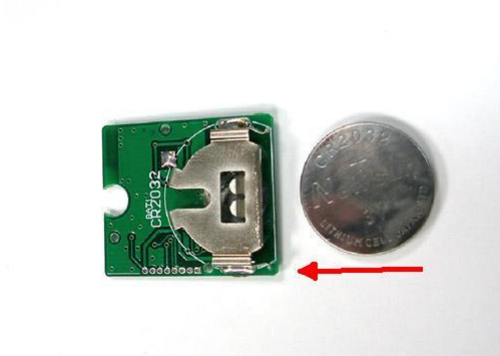


2. Features:

- Compact size Tag.
- High security, Long range, read/write Tag.
- Wireless Tag programming.
- Horizontal Tilt Detecting / Vertical Rotation Detecting / Shock Detecting (2S-V)

3. How to replace the battery:

First, you need to screw the lid of Tag by the proper screwdriver. And then, put the new battery properly into the battery bracket which is mounted on the main board. Like as below photo.



4. Set Parameters:

You can set TAG emitting frequency, receive frequency and ON/OFF Tag with SYRIS Xtive utility. (Please refer to [Xtive Utility user manual](#))

5. Battery Life:

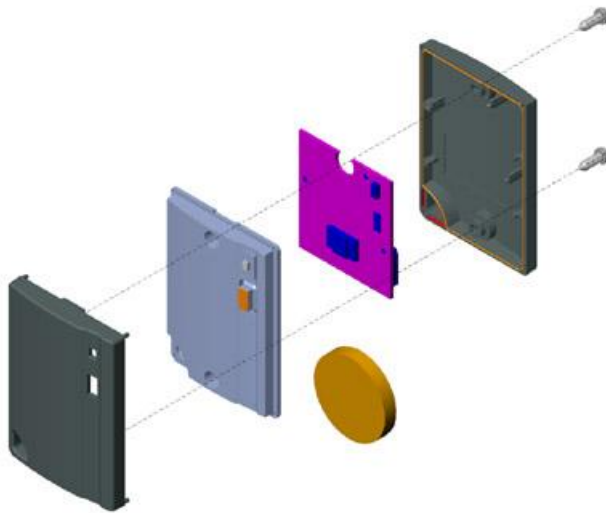
Battery type: Replaceable coin cell (CR2032 x1)

Battery life is affected by TAG emitting frequency and receives frequency. Increasing emitting/receives frequency will shorten the battery life.

B、SYTAG245-2K/2K-V Tag



1. Diagram

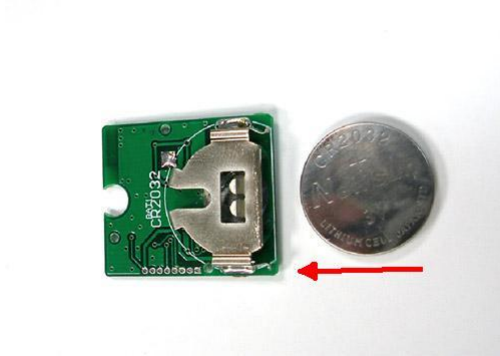


2. Features:

- Compact size Tag.
- High security, Long range, read/write Tag.
- Remote ON/OFF Tag.
- Wireless Tag programming.
- Call button: Emergency reporting / Signal transmission / ON-OFF Tag.
- Two colors LED visual indication: Generally, the emitting signal will glitter green light; when it's low battery, it will glitter red sight.
- Shock Detecting (2K-V)

3. How to replace the battery:

First, you need to screw the lid off Tag by the proper screwdriver. And than, put the new battery properly into the battery bracket which is mounted on the main board. Like as below photo.



4. Set Parameters:

You can set TAG emitting frequency, receive frequency, ON/OFF Tag and LED indication with SYRIS Xtive utility. (Please refer to [Xtive Utility user manual](#))

5. Battery Life:

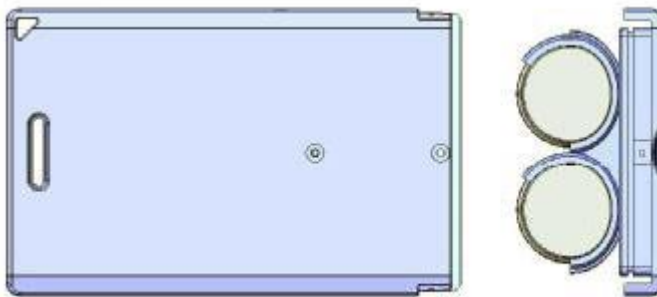
Battery type: Replaceable coin cell (CR2032 x1)

Battery life is affect by TAG emitting frequency and receives frequency. Increasing emitting/receives frequency will shorten the battery life.

C 、 SYTAG245-2C Card Tag



1. Diagram



2. Features:

- Card design.
- Two batteries for long life.
- Concealed button in the central of the card Tag.
- Remote ON/OFF Tag.
- Wireless Tag programming.
- Two colors LED visual indication: Generally, the emitting signal will glitter green light; when it's low battery, it will glitter red sight.
- Buzzer : Remote active beep or click active beep.
- Built-in passive RFID. (Option : BM0:Mifare 13.56MHz, BE0:EM 125 KHz, BM2:ISO-15693)

3. How to replace battery:

- Loosen the screw to pull out the bracket of the battery carefully.
- Replace two batteries and than insert the bracket into the case.
- Tighten the screw.

4. Set Parameters:

You can set TAG emitting frequency, receive frequency, ON/OFF Tag, LED indication and buzzer with SYRIS Xtive utility.

(Please refer to [Xtive Utility user manual](#))

5. Battery Life:

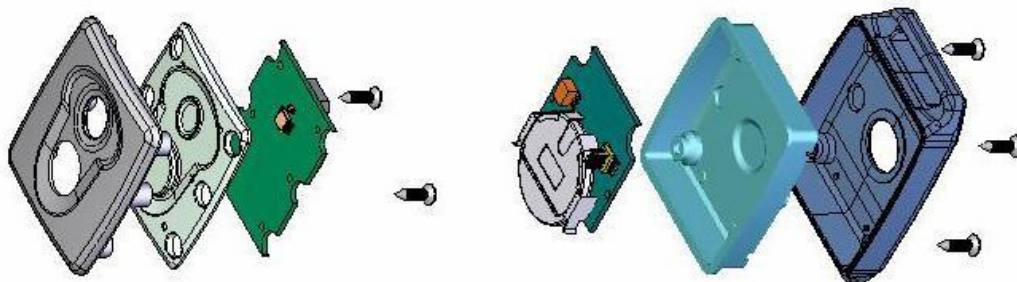
Battery type: Replaceable coin cell (CR2032 x2)

Battery life is affect by TAG emitting frequency and receives frequency. Increasing emitting/receives frequency will shorten the battery life.

D、SYTAG245-TM-A Wristband Tag



1. Diagram



2. Features:

- Wristband design.
- Call button: Emergency reporting / Signal transmission / ON-OFF Tag.
- Remote ON/OFF Tag.
- Wireless Tag programming.
- Two colors LED visual indication: Generally, the emitting signal will glitter green light; when it's low battery or detect light sensor, it will glitter red sight.
- Built-in two thermal sensors for continuously monitoring the temperature of infants or patients. One thermal sensor detects the skin temperature. The other detects the ambient temperature.
- Built-in light sensor for tamper proof.
- Buzzer : Remote active beep or click active beep.

3. How to replace battery:

- Loosen the screw to pull out the bracket of the battery carefully.
- Replace the battery and than put the bracket back to the case.
- Tighten the screw.

4. Set Parameters:

You can set TAG emitting frequency, receive frequency, ON/OFF Tag, LED indication and buzzer with SYRIS Xtive utility.

(Please refer to [Xtive Utility user manual](#))

5. Battery Life:

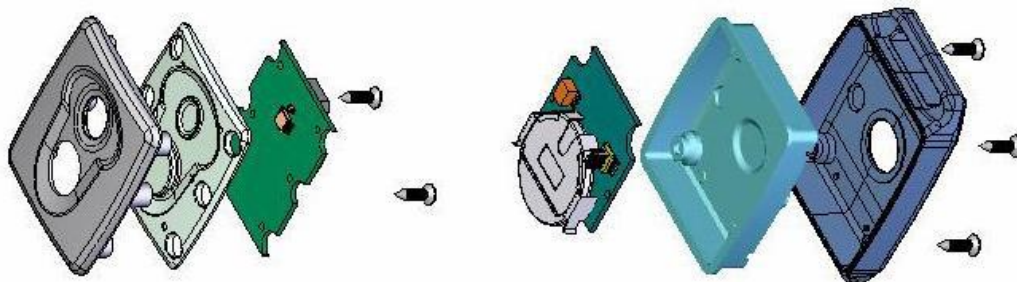
Battery type: Replaceable coin cell (CR2032 x1)

Battery life is affect by TAG emitting frequency and receives frequency. Increasing emitting/receives frequency will shorten the battery life.

E 、 SYTAG245-TM-B Wristband Tag



1. Diagram



2. Features:

- Wristband design.
- Call button: Emergency reporting / Signal transmission / ON-OFF Tag.
- Remote ON/OFF Tag.
- Wireless Tag programming.
- Two colors LED visual indication: Generally, the emitting signal will glitter green light; when it's low battery or detect light sensor, it will glitter red sight.
- Built-in light sensor for tamper proof.
- Buzzer : Remote active beep or click active beep.

3. How to replace battery:

- Loosen the screw to pull out the bracket of the battery carefully.
- Replace the battery and than put the bracket back to the case.
- Tighten the screw.

4. Set Parameters:

You can set TAG emitting frequency, receive frequency, ON/OFF Tag, LED indication and buzzer with SYRIS Xtive utility.

(Please refer to [Xtive Utility user manual](#))

5. Battery Life:

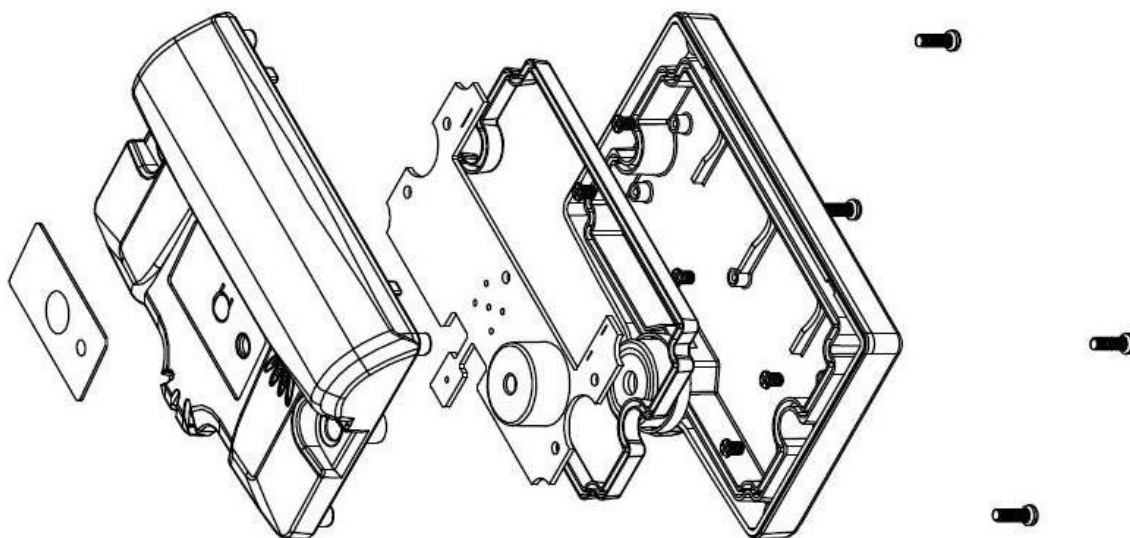
Battery type: Replaceable coin cell (CR2032 x1)

Battery life is affect by TAG emitting frequency and receives frequency. Increasing emitting/receives frequency will shorten the battery life.

F、SYTAG245-HT Temperature and Humidity Sensor Tag



1. Diagram



2. Features:

- Shock Detecting
- Temperature Sensor Range: -40 ~ 123.8°C
- Temperature accuracy: $\pm 0.5^{\circ}\text{C}$ @25°C
- Humidity Sensor Range: 0~100 %RH
- Humidity accuracy : ± 4.5 %RH
- Remote ON/OFF Tag.
- Transmission interval programmable / Wireless Tag programming
- Digital RSSI/LQI data providing and Low battery indicator
- LED visual indication
- Built-in Buzzer
- Call button: Emergency reporting / Signal transmission / ON-OFF Tag
- Typical transmission range: up to 70m (230 ft)
- Memory (option): 0~32K bytes
- Built-in RTC (Real Time Clock) (option)
- Built-in MEMS inertial sensor (Linear Accelerometer) (option)

3. Set Parameters:

You can set TAG emitting frequency, receive frequency, ON/OFF Tag, LED indication and buzzer with SYRIS Xtive utility.

(Please refer to [Xtive Utility user manual](#))

4. Battery Life:

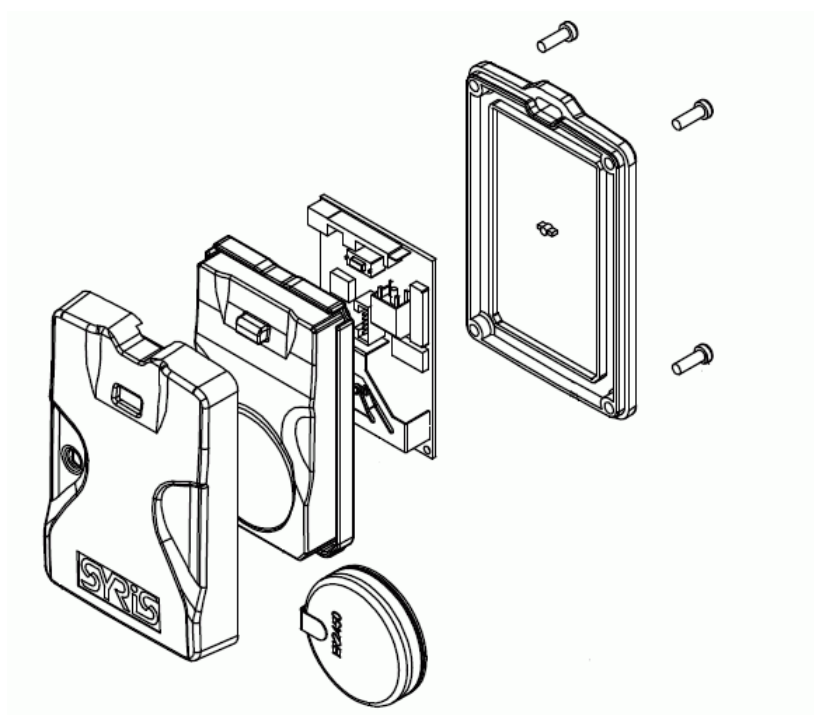
Battery type: AA 3.6V ER14505 x 1

Battery life is affect by TAG emitting frequency and receives frequency. Increasing emitting/receives frequency will shorten the battery life.

G、SYTAG245-2F1 Rugged RFID Tag



1. Diagram



2. Features:

- Shock Detecting
- Remote ON/OFF Tag.
- Transmission interval programmable / Wireless Tag programming
- Digital RSSI/LQI data providing and Low battery indicator
- LED visual indication
- Call button: Emergency reporting / Signal transmission / ON-OFF Tag
- Typical transmission range: up to 70m (230 ft)
- 125 KHz low frequency induction trigger

3. Set Parameters:

You can set TAG emitting frequency, receive frequency, ON/OFF Tag, LED indication and buzzer with SYRIS Xtive utility.

(Please refer to [Xtive Utility user manual](#))

4. Battery Life:

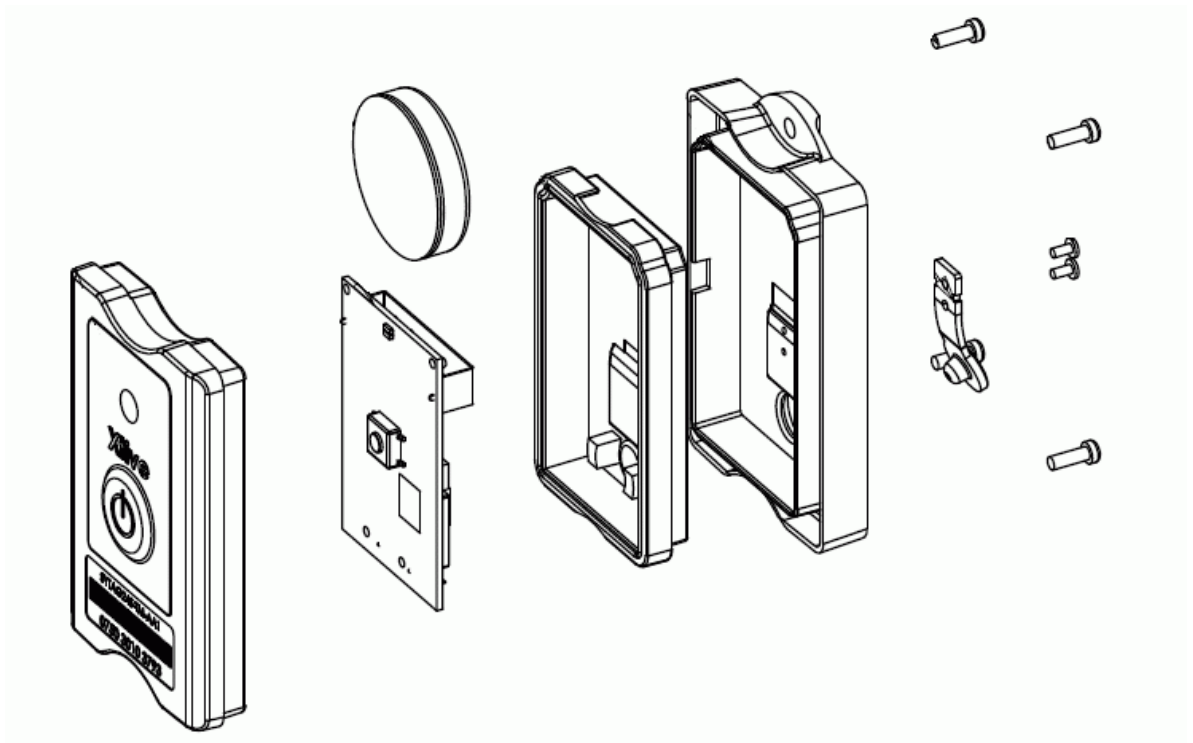
Battery type: Replaceable coin cell (CR2450 x1)

Battery life is affect by TAG emitting frequency and receives frequency. Increasing emitting/receives frequency will shorten the battery life.

H、SYTAG245-2F5 Tamper-Detect Asset Tag



1. Diagram



2. Features:

- Shock Detecting
- Transmission interval programmable / Wireless Tag programming
- Digital RSSI/LQI data providing and Low battery indicator
- LED visual indication
- Built-in tamper switch for anti-tamper capability
- Typical transmission range: up to 70m (230 ft)
- 125 KHz low frequency induction trigger
- Built-in Triaxial accelerometer (option)

3. Set Parameters:

You can set TAG emitting frequency, receive frequency, ON/OFF Tag, LED indication and buzzer with SYRIS Xtive utility.

(Please refer to [Xtive Utility user manual](#))

4. Battery Life:

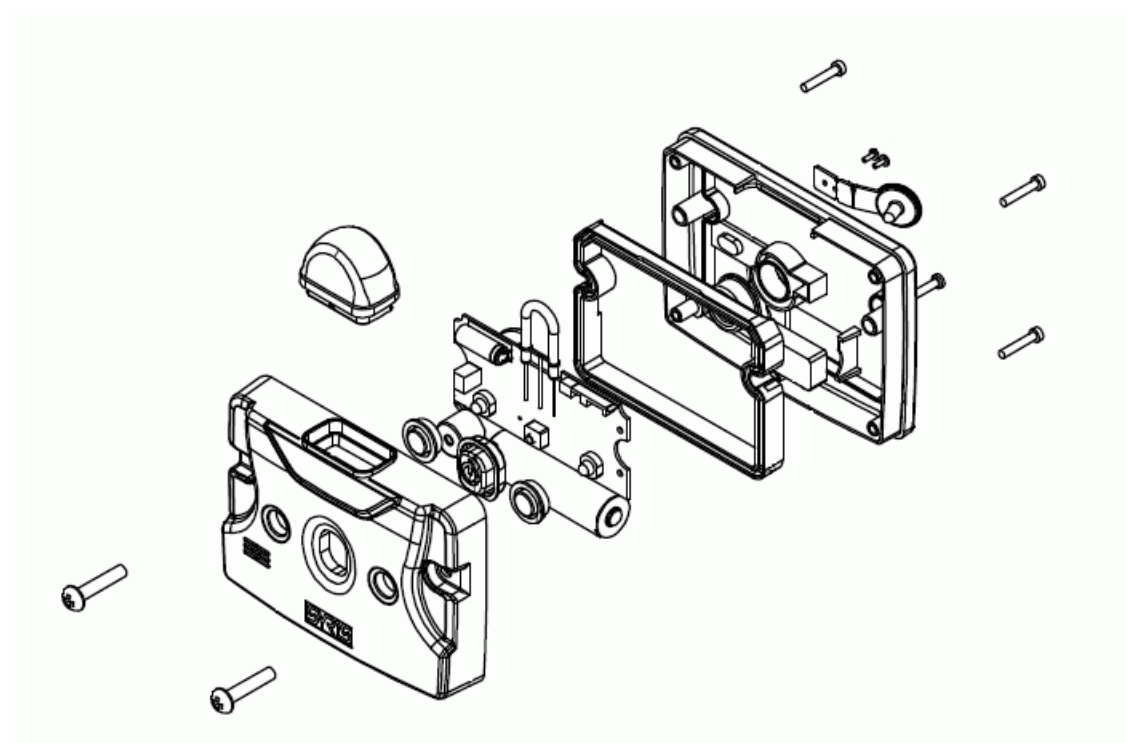
Battery type: Replaceable coin cell (CR2450 x1)

Battery life is affect by TAG emitting frequency and receives frequency. Increasing emitting/receives frequency will shorten the battery life.

I、SYTAG245-2X RFID Flash Tag



1. Diagram



2. Features:

- Shock Detecting
- Remote ON/OFF Tag.
- Transmission interval programmable / Wireless Tag programming
- Digital RSSI/LQI data providing and Low battery indicator
- Xenon flash lamp visual indication
- Two High Brightness LED (1W) visual indications
- Built-in Buzzer
- Built-in Light sensor and tamper switch for anti-tamper capability
- Typical transmission range: up to 140m

3. Set Parameters:

You can set TAG emitting frequency, receive frequency, ON/OFF Tag, LED indication and buzzer with SYRIS Xtive utility.

(Please refer to [Xtive Utility user manual](#))

4. Battery Life:

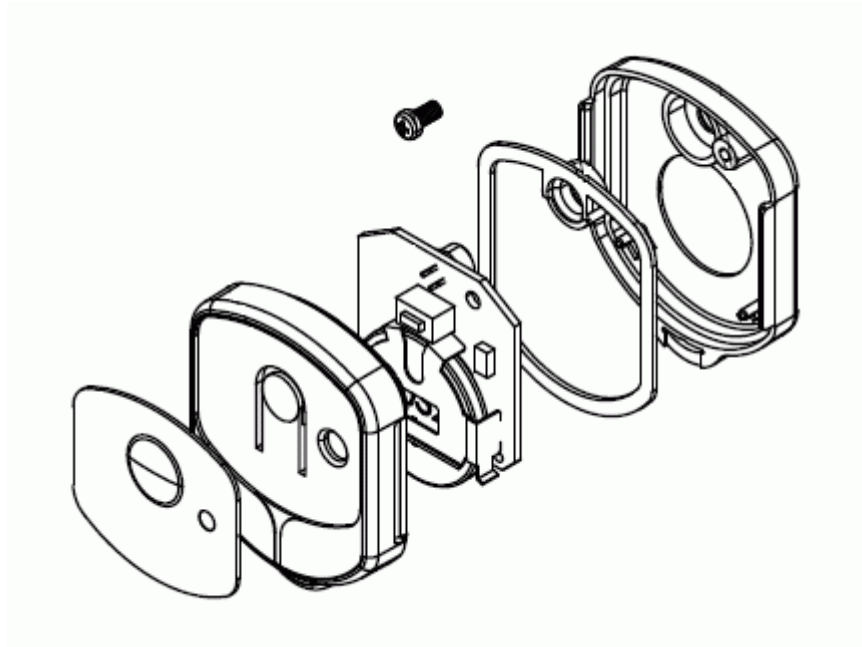
Battery type: AA 3.6V ER14505 x 1

Battery life is affect by TAG emitting frequency and receives frequency. Increasing emitting/receives frequency will shorten the battery life.

J、SYTAG245-NL Pendant tag with IR temperature sensor



1. Diagram



2. Features:

- Shock Detecting
- Call button: Emergency reporting / Signal transmission / ON-OFF Tag.
- Remote ON/OFF Tag.
- Transmission interval programmable / Wireless tag programming.
- LED visual indication / Built-in Buzzer
- IR temperature Sensor Range: -40 ~ 85°C
- IR temperature accuracy: $\pm 0.5^{\circ}\text{C}$ @25°C
- Ambient temperature and Object temperature detect
- Compact size, east to wear

3. Set Parameters:

You can set TAG emitting frequency, receive frequency, ON/OFF Tag, LED indication and buzzer with SYRIS Xtive utility.

(Please refer to [Xtive Utility user manual](#))

4. Anti-Tamper

Tag will detect temperature when anti-tamper was triggered with motion sensor. When infrared sensor detect temperature difference over than 0.7°C, Xtive utility will pop [SENSOR].

5. Infrared Sensor

Detect ambient temperature(T1) and object temperature(T2).

6. Temperature Alarm : (Default setting)

Blink purple light : Over 40°C

Blink yellow and orange light : 37.5°C~40°C

Blink red light : Standard temperature range (34.6°C~37.4°C)

Blink green light : 32.1°C~34.5°C

Blink blue light : Below 32°C

7. Battery Life:

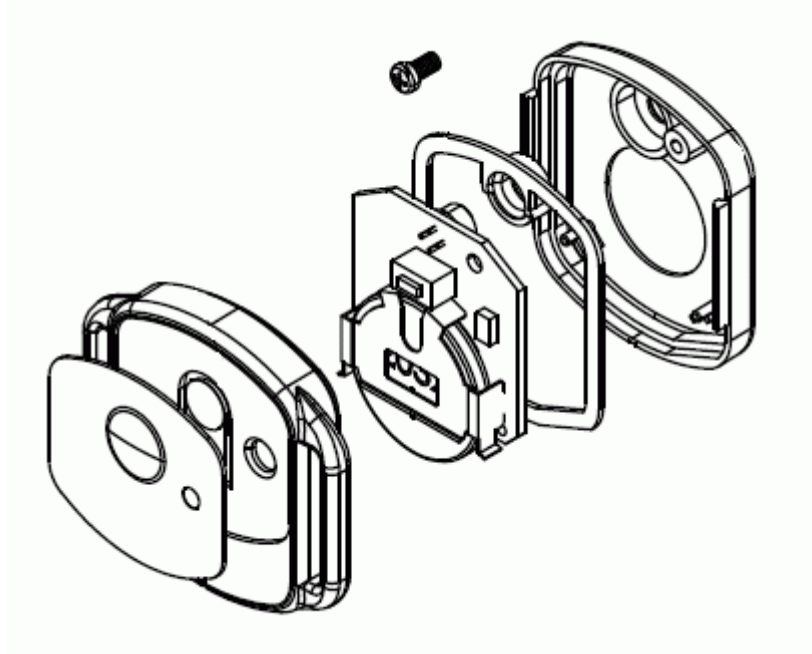
Battery type: Replaceable coin cell (CR2032 x1)

Battery life is affect by TAG emitting frequency and receives frequency. Increasing emitting/receives frequency will shorten the battery life.

K、SYTAG245-NW Wristband tag with IR temperature sensor



1. Diagram



2. Features:

- Shock Detecting
- Call button: Emergency reporting / Signal transmission / ON-OFF Tag.
- Remote ON/OFF Tag.
- Transmission interval programmable / Wireless tag programming.
- LED visual indication / Built-in Buzzer
- IR temperature Sensor Range: -40 ~ 85°C

- IR temperature accuracy: $\pm 0.5^{\circ}\text{C}$ @ 25°C
- Alert the abnormal body temperature
- Ambient temperature and Object temperature detect
- Compact size, easy to wear

3. Set Parameters:

You can set TAG emitting frequency, receive frequency, ON/OFF Tag, LED indication and buzzer with SYRIS Xtive utility.

(Please refer to [Xtive Utility user manual](#))

4. Anti-Tamper

Tag will detect temperature when anti-tamper was triggered with motion sensor. When infrared sensor detect temperature difference over than 0.7°C , Xtive utility will pop [SENSOR].

5. Infrared Sensor

Detect ambient temperature(T1) and object temperature(T2).

6. Temperature Alarm : (Default setting)

Blink **purple** light : Over 40°C

Blink **yellow** and **orange** light : $37.5^{\circ}\text{C} \sim 40^{\circ}\text{C}$

Blink **red** light : Standard temperature range ($34.6^{\circ}\text{C} \sim 37.4^{\circ}\text{C}$)

Blink **green** light : $32.1^{\circ}\text{C} \sim 34.5^{\circ}\text{C}$

Blink **blue** light : Below 32°C

7. Battery Life:

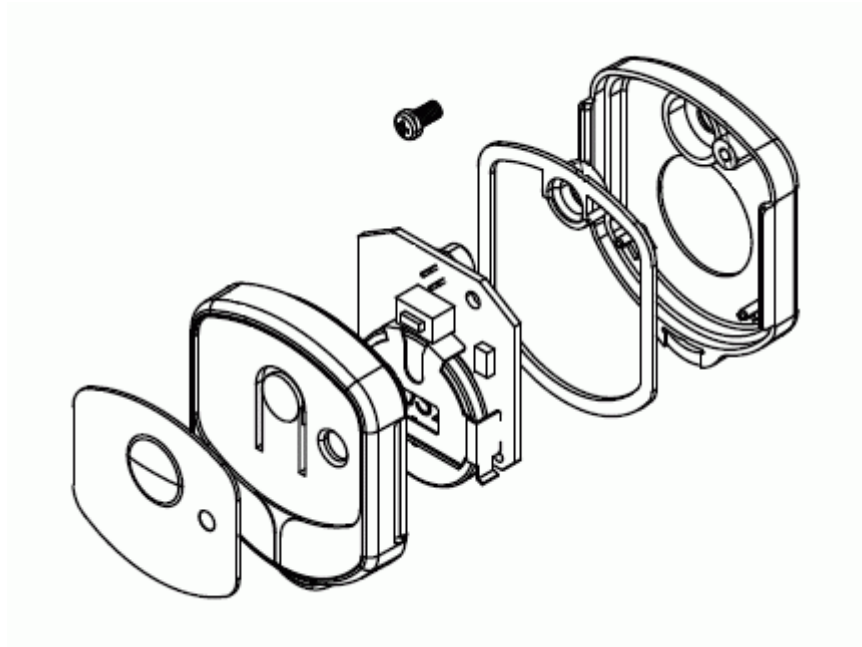
Battery type: Replaceable coin cell (CR2032 x1)

Battery life is affected by TAG emitting frequency and receives frequency. Increasing emitting/receives frequency will shorten the battery life.

L、SYTAG245-SL Pendant tag



1. Diagram



2. Features:

- Shock Detecting (option)
- Call button: Emergency reporting / Signal transmission / ON-OFF Tag.
- Remote ON/OFF Tag.
- Transmission interval programmable / Wireless tag programming.
- LED visual indication / Built-in Buzzer
- Compact size, east to wear

3. Set Parameters:

You can set TAG emitting frequency, receive frequency, ON/OFF Tag, LED indication and buzzer with SYRIS Xtive utility.

(Please refer to [Xtive Utility user manual](#))

4. Battery Life:

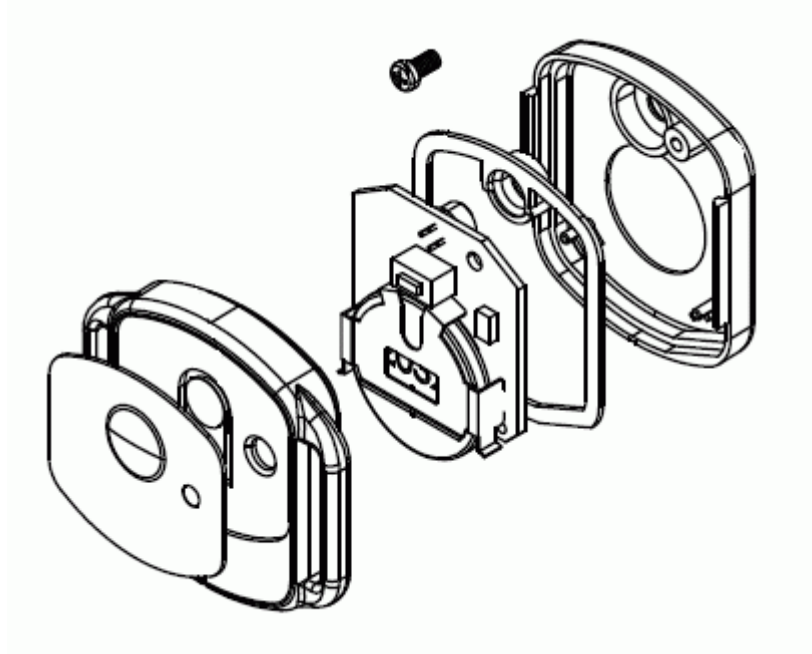
Battery type: Replaceable coin cell (CR2032 x1)

Battery life is affect by TAG emitting frequency and receives frequency. Increasing emitting/receives frequency will shorten the battery life.

M、SYTAG245-SW Wristband tag



1. Diagram



2. Features:

- Shock Detecting
- Call button: Emergency reporting / Signal transmission / ON-OFF Tag.
- Remote ON/OFF Tag.
- Transmission interval programmable / Wireless tag programming.
- LED visual indication / Built-in Buzzer
- Compact size, east to wear

3. Set Parameters:

You can set TAG emitting frequency, receive frequency, ON/OFF Tag, LED indication and buzzer with SYRIS Xtive utility.

(Please refer to [Xtive Utility user manual](#))

4. Battery Life:

Battery type: Replaceable coin cell (CR2032 x1)

Battery life is affect by TAG emitting frequency and receives frequency. Increasing emitting/receives frequency will shorten the battery life.

N、SYTAG245-2CL1 Locating Card TAG



1. Features:

- Card design.
- Concealed button in the central of the card Tag.
- Remote ON/OFF Tag.
- Wireless Tag programming.
- Two colors LED visual indication: Generally, the emitting signal will glitter green light; when it's low battery, it will glitter red sight.
- Buzzer : Remote active beep or click active beep.
- Support SYRIS 125 KHz precise locating technology

2. Set Parameters:

You can set TAG emitting frequency, receive frequency, ON/OFF Tag, LED indication and buzzer with SYRIS Xtive utility.

(Please refer to [Xtive Utility user manual](#))

3. Battery Life:

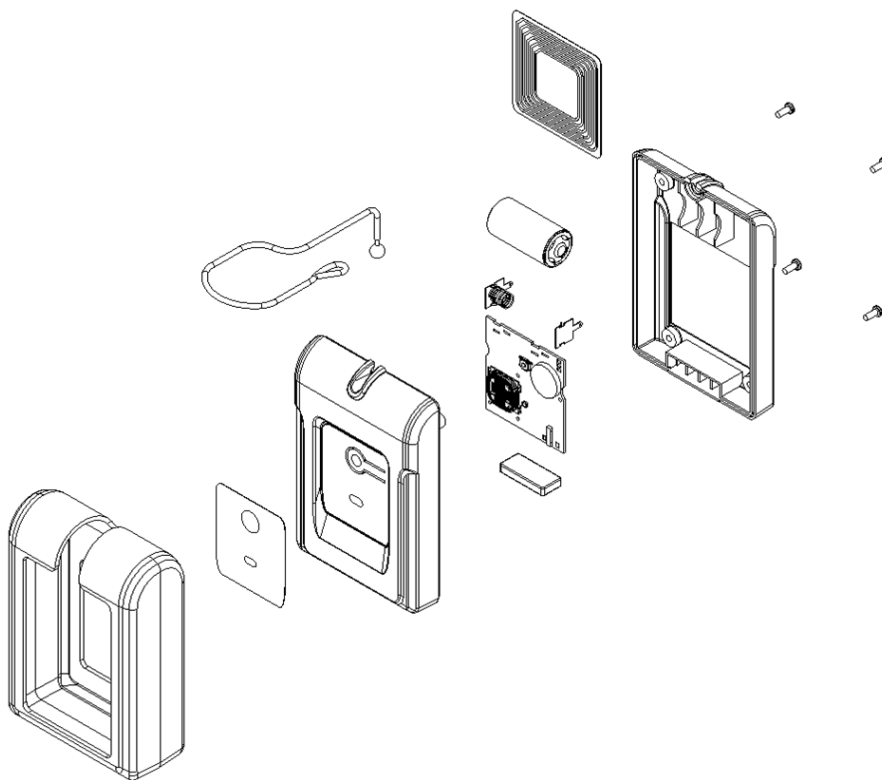
Battery type: Replaceable coin cell (CR2032 x2)

Battery life is affect by TAG emitting frequency and receives frequency. Increasing emitting/receives frequency will shorten the battery life.

O、SYTAG245-PL2 Vehicle tracking TAG



1.



2. Features:

- Each tag has unique identification.
- Support SYRIS 125 KHz precise locating technology
- Integrate ISO15693 passive RFID tag (option)
- Hook hanging / Magnet adsorption
- Transmission interval programmable / Wireless tag programming
- Digital RSSI/LQI data providing and Low battery indicator
- LED visual indication / Built-in Buzzer
- Call button: Emergency reporting / Signal transmission

3. Set Parameters:

You can set TAG emitting frequency, receive frequency, ON/OFF Tag, LED indication and buzzer with SYRIS Xtive utility.

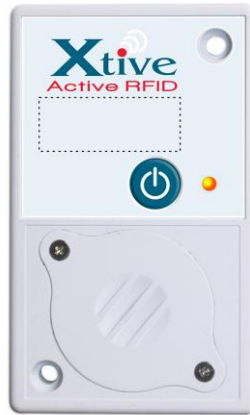
(Please refer to [Xtive Utility user manual](#))

4. Battery Life:

Battery type: Replaceable battery (CR123A x1)

Battery life is affect by TAG emitting frequency and receives frequency. Increasing emitting/receives frequency will shorten the battery life.

P 、 SYTAG245-2F6 compact asset tag



4. Features:

- Shock Detecting
- Transmission interval programmable / Wireless Tag programming
- Digital RSSI/LQI data providing and Low battery indicator
- Wireless Tag programming.
- Two colors LED visual indication: Generally, the emitting signal will glitter green light; when it's low battery, it will glitter red sight.
- Buzzer : Remote active beep or click active beep.
- Support SYRIS 125 KHz precise locating technology (option)

5. Set Parameters:

You can set TAG emitting frequency, receive frequency, ON/OFF Tag, LED indication and buzzer with SYRIS Xtivity utility.

(Please refer to [Xtivity Utility user manual](#))

6. Battery Life:

Battery type: Replaceable coin cell (CR2032 x1)

Battery life is affect by TAG emitting frequency and receives frequency. Increasing emitting/receives frequency will shorten the battery life.