

SYRDS1 Proximity Card Reader Installation Manual

Wiegand™ & RS485 DUAL INTERFACE



SYRIS Technology Corp.

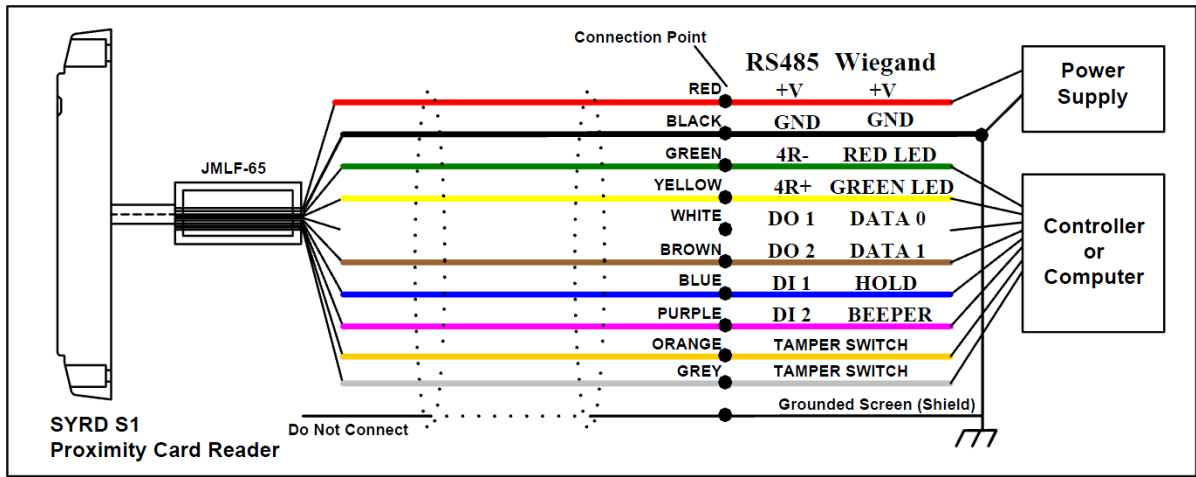
ADD : 12F, No.16, Sec. 2, Taiwan Blvd., West Dist.,
Taichung City 40354, Taiwan

TEL : +886-4-2207-8888

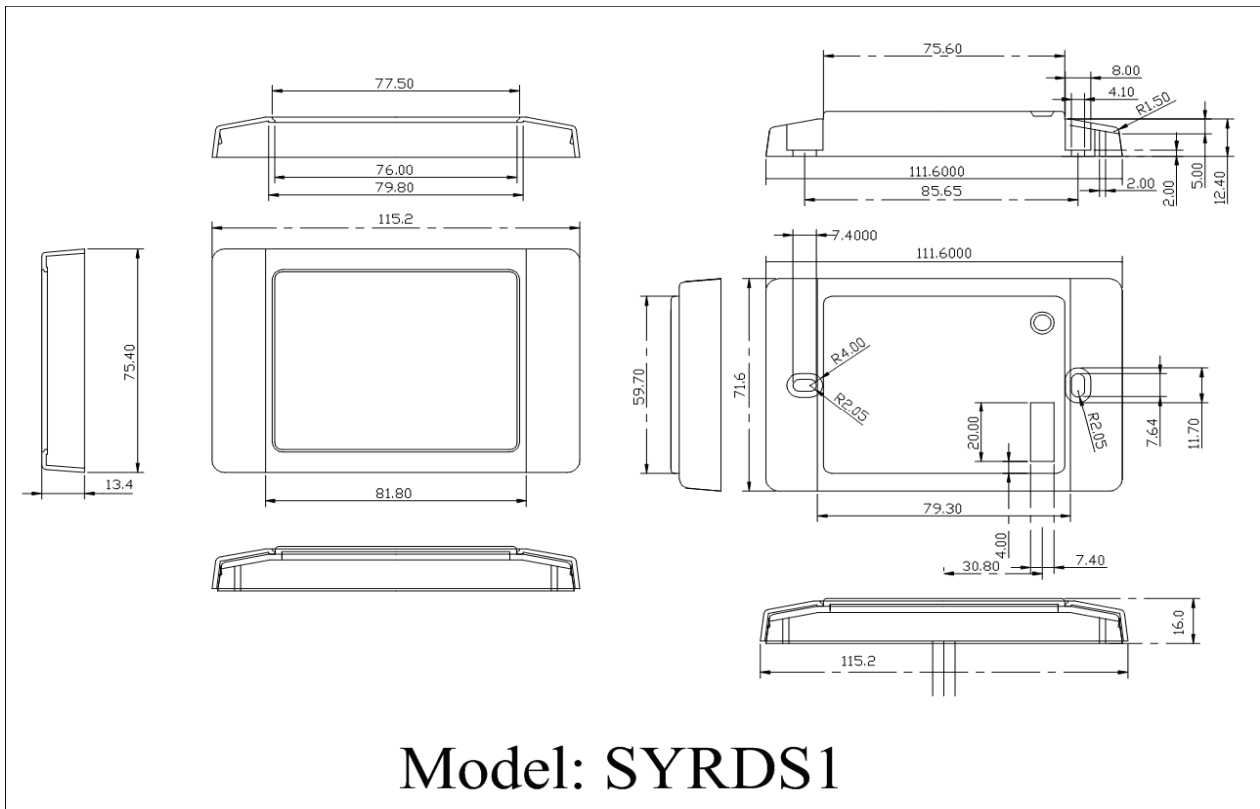
FAX : +886-4-2207-9999

E-Mail : service@syris.com

Website : <http://www.syris.com>



- * Power supply should be regulated linear power supply.
- * Your system must have a single grounded point.
- * The shield must run continuous throughout the installation.



SYRDS1 Proximity Card Reader Specification

Water resistant, high security, high durability, and low identification error rate.

SYRIS proximity reader is able to interface with all existing access control system by Wiegand™ 26 bits formats and RS485 formats dual .

Items / Specs	SYRDS1	SYRDS1-M1	SYRDS1-H1
Transmit Frequency	125KHz	13.56 MHz	13.56 MHz (Mifare、IC、i-Code care)
Card Camptability	SYRIS card (EM compatible)	Mifare series	ISO1443A/B /15693 / Mifare
Read range*	5 ~ 15 cm	2 ~ 6 cm	2 ~ 6 cm
Card Read Time	0.1sec(typical)		
Output Format	RS485 formats and Wiegand™ formats		
Wiegand™ Formats	Wiegand™ 26 bits、34 bits、42 bits、66 bits formats		
Baud rate	19,200 bps (4,800、9,600、19,200、38,400、57,600、115,200)		
Operating Temperature	-20 °C to +70 °C		
Storage Temperature	-30 °C to +80 °C		
Input Voltage	8V to 15V DC / 0.5~2W		
Dimensions (WxHxD)	75 x 115 x 16 mm		

* This specification is preliminary and is subject to change without prior notice

* Reading range is subject to card type, site interference and antenna specs for more information