

SYRDM5-H1

Serial Proximity

Reader

Install Guide

V0100



SYRDM5-H1 Serial Proximity Reader Specification

Water resistant, high security, high durability, and low identification error rate.

Can be mounted directly on metal without affecting its reading performance.

SYRIS proximity reader is able to interface with all existing access control system by RS485 formats or Wiegand™ formats.

Items / Specs	SYRDM5-H1
Frequency	13.56 MHz
Card (Transponder)	ISO14443A/B/ 15693 / Mifare
Read range*	2~6 cm
Card read time	0.2 sec(typical)
Output interface	RS485 formats 、 Wiegand™ formats
Wiegand™ formats	Wiegand™ 26 bits 、 34 bits 、 42 bits 、 66 bit formats
Baud Rate	19,200 bps(4,800 、 9,600 、 19,200 、 38,400 、 57,600 、 115,200)
Color	Beige
Operating temperature	-20 °C to 70 °C
Storage temperature	-30 °C to 80 °C
Power supply input	5V to 28V DC
Dimensions (mm)	43.85W x 80.9H x 16.6D

* This specification is preliminary and is subject to change without prior notice

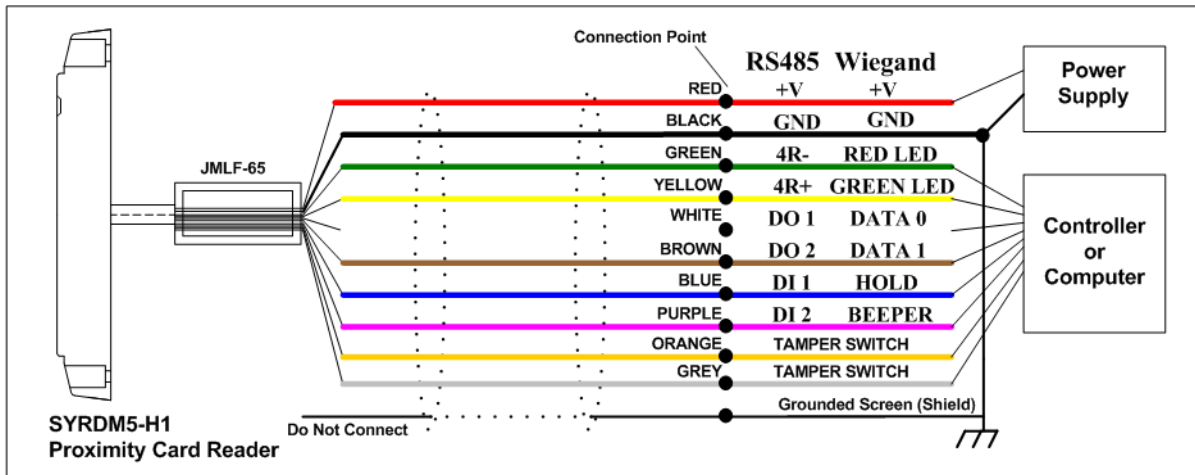
* Reading range is subject to card type, site interference and antenna specs for more information



SYRIS Technology Corp. 12F, No.16, Sec. 2, Taiwan Blvd., West Dist., Taichung City 40354, Taiwan

Tel : +886-4-2207-8888 Fax : +886-4-2207-9999 Email : service@syris.com

SYRDM5-H1 Reader Wiring



SYRDM5-H1 Reader Installation and Template

