

SYKD2N-H5/L5

Network Single Door Controller/Reader Install Instructions

V0100



SYRIS TECHNOLOGY CORP.

12F, No. 16, Sec. 2, Taiwan Blvd., West Dist.,
Taichung City 40354, Taiwan

TEL: + 886-4-2207-8888

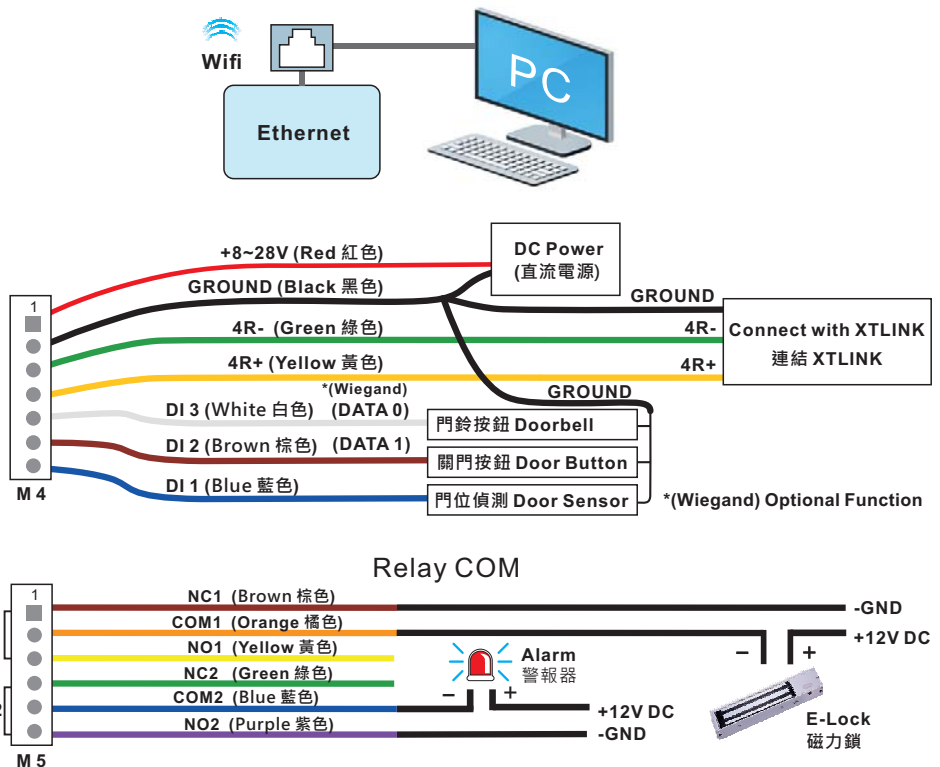
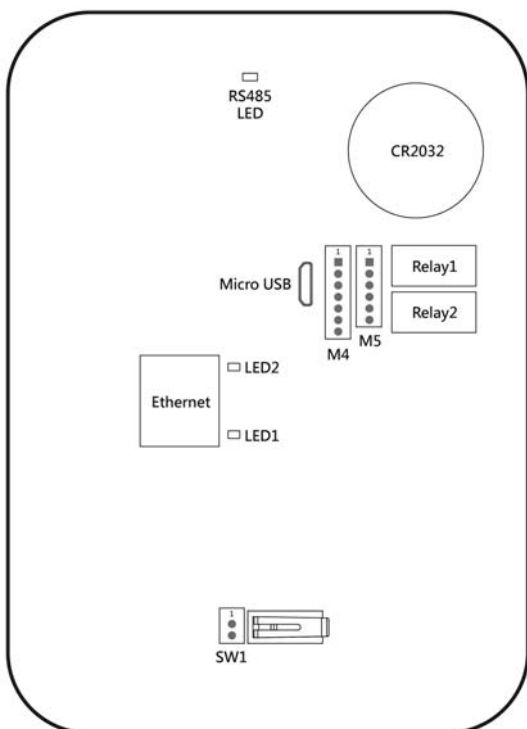
FAX: + 886-4-2207-9999

Email: service@syris.com

Web: http://www.syris.com



SYKD2N-H5/L5 WIRING DIAGRAM



SYKD2N-H5/L5 Specification

Specification	SYKD2N-H5/L5
Card Frequency	H5 : 13.56MHz(Multi-Format) L5 : 125KHz(EM)
Keypad	13 Keypad(Capacitive)
Active RFID	Support 2.45GHz active RFID(option)
Interface	RS485 and Wiegand(26/32/34/35/37/42/66 Bit) Ethernet / Wi-Fi
Ethernet	10M/100M Ethernet Port
Wi-Fi	802.11 b/g/n
Baud Rate	19,200 bps(4,800~230,400bps)
Capacity of Records	2000
Capacity of Cards	2000
Status Indicator	LED (RGB)
IR Sensor	1 IR sensor for waving hand.
Digital Input	Up to 3 (1 for non-voltage DI+2 for non-voltage DI share same port with Wiegand)
Digital output	Up to 2 (2 Relay output)
Holiday Control	30 Day
Anti-duress PIN	4 Set
Anti-Tamper /Anti-Lockup	Build-in(Infrared) / (Watchdog)
Voice output	Build-in Buzzer
Operating temperature	-10℃~+60℃
Input Voltage	8V ~ 28V DC / 1W ~ 6W
Dimension(W x H x D)	90(W) x 124(H) x 27(D) mm

SYKD2N-H5/L5 Operation Manual

Option	Description
Logout	Enter # + # + 0 + 0 (Beep)
Login	Enter # + # + 0 + 1 (Beep) + [Password] + # Note: Default Password: 1234 ; Auto-logout after user login for 30 seconds and without doing any setting.
Please login device first before doing the following setup	
ID	Enter # + # + 0 + 2 (Beep) + [ID] + # Note: ID Range is 1~9999 ; (Default ID : 1)
Date/Time	Enter # + # + 0 + 3 (Beep) + [YYYYMMDDhhnnss] + # Note: For example, 2011/01/29 03:25:23, please enter 2011 0129032523
Login Password Setup	Enter # + # + 0 + 4 (Beep) + [New Password] + # Note: Login password is 4 char (Default: 1234) ; user can setup factory default via computer software if user forgot the password.
Backlight Time	Enter # + # + 0 + 5 (Beep) + [Time] + # Note: Time range is 0~250 seconds ; 0 means always on(Default:30 Seconds)
Card Read Mode	Enter # + # + 0 + 6 (Beep) + [S] + # Note: Show Card Mode 0 : None · 1 : Card No(Default) · 2 : UID · 3 : Char
Language	Enter # + # + 0 + 7 (Beep) + [Language] + # Note: 0 : ENGLISH(Default) · 1 : CHT · 2 : CHS
Code Setting	Enter # + # + 0 + 8 (Beep) + [Encode] + # Note: 0 : UNICODE(Default) · 1 : BIG5 · 2 : GB2312
Shift Setting	Enter # + # + 0 + 9 (Beep) + [Class] + # Note: 0 : Disable(Default) · 1 : Enable Switch shift mode needs to operate under shift setting mode enabled : On Duty : # + [1] (Beep) ; Off Duty : # + [2] (Beep) Go Out : # + [3] (Beep) ; Return : # + [4] (Beep) Start Overtime : # + [5] (Beep) ; Finish Overtime : # + [6] (Beep)

SYKD2N-H5/L5 Operation Manual

Add Card	A. Enter # + # + 1 + 1 (Beep) + [Card Number] + # + Show Card + * B. Enter # + # + 1 + 1 (Beep) + Show Card + * Note: A.User can define specific card number (number from 1 to 2000). B.System will assign card number automatically.
Delete Card	A.Enter # + # + 1 + 2 (Beep) + [Card Number] + # B.Enter # + # + 1 + 2 (Beep) + Show Card + * Note: A.User can define specific card number (number from 1 to 2000). B.System will erase the showing card.
Card Password	Enter # + # + 1 + 3 (Beep) + [Password] + # + Show Card + * Note: Showing card that will be created password : Password contains 1 ~ 4 numeric code(After enabled card password function · it needs to work with door open mode)
Master Card Setting	Enter # + # + 1 + 5 (Beep) + [M] + # + Show Card + * Note: Enter master card number(card number is 1~3) then show the card to device. (To login,user can use PIN code or master card after pressing ##01)
Erase All Cards	Enter # + # + 1 + 9 (Beep) + [Password] + # Note: Login device before doing the procedure(Default Login Password: 1234)
Door Open Time	Enter # + # + 2 + 1 (Beep) + [Time] + # Note: Time range to open door is 0~255 second ; 0 means mode for open one time close one time.

Note : Press ***** to return the previous steps while doing error input. Fast procedures to setup for access door by using card or password.

- A. ##01 Login
- B. ##11 Add one card *
- C. ##13 Setup password for this card *
- D. ##23 →0 Switch access door with PIN only #
- E. ##22 →1 Switch access mode as card or pin to access door #
- F. Reboot