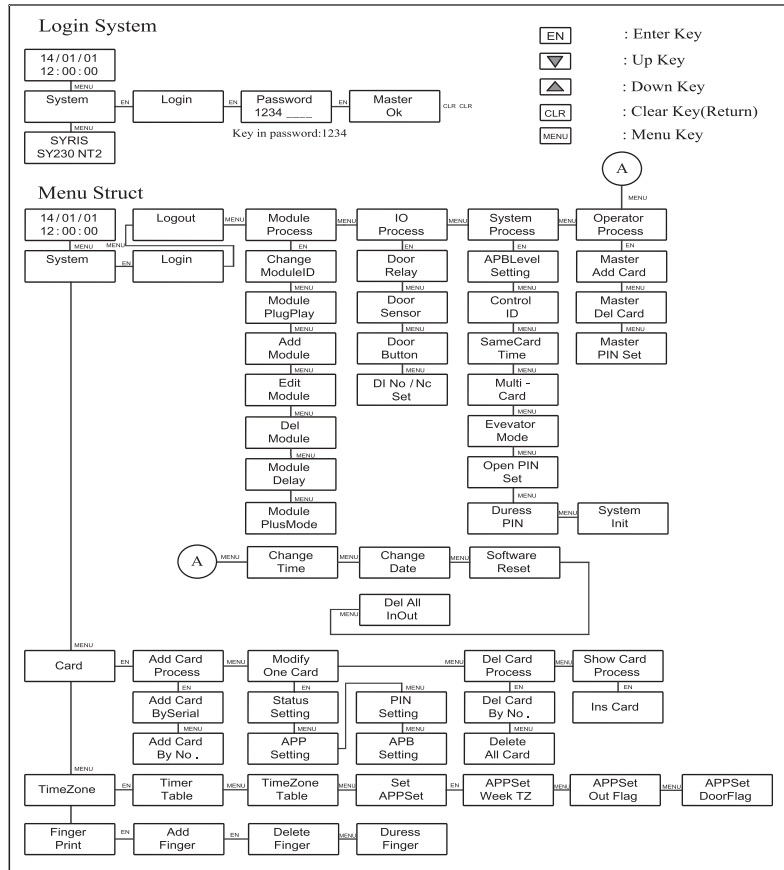


SY230NT Serial Menu Structure

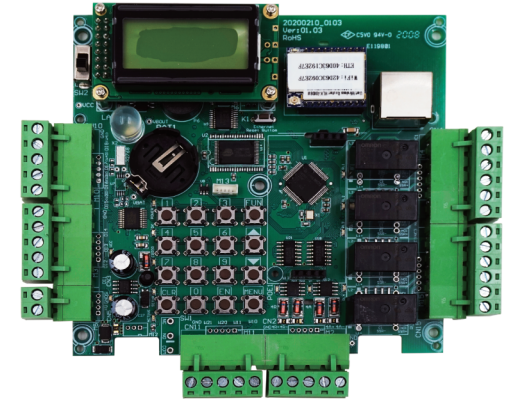


SY230NT-V5A Serial Controller Specification

Items	Specs	Items	Specs
Number of cards (holder name) /records	9,999 / 4,100	Controller ID	0001 - 9999
Number of readers	4(2in,2out)、8 (4in,4out)	Indicator	8 LED
Door control	2 / 4	Keypad input	16 key keypad
Reader technologies	SYRIS RS485 / Wiegand (2 / 4)	LCD display	8 x 2
Baud rate	19,200bps (4,800 ~ 115,200bps)	Speaker output	Beep built-in / Speak 0.5 W
Input Points	8 (Expandable to 128) (DI5~ DI8 and W3~W4 shared)		
Communication Connection	RS485 (4A, 4R), Wiegand (compatible with 26/32/34/35/37/42/50/66 bit)		
Control relay output	2 / 4 (Expandable to 128)	Anti-pass back	Up to 3 level of local and/or group anti-pass back
Interface	RS485x2 TCP/IP and WiFi(For-N device only)	Operating temperature	-20°C to 70°C
Timer / Time Zone	32Timer / 60 Time zones	Storage temperature	-40°C to 80°C
Group and APP Set / Holidays	64 Group / 366 holidays	Humidity	10% to 95 %
Dimensions (mm)	122.5(W) x 117(H) x 25(D) 137(W) x 180(H) x 54(D)	Power supply	DC 8V to 24V
		Power consumption	0.5 W / 2.5 W

Install and Operation Instructions

SY230NT-V5A Serial Controller

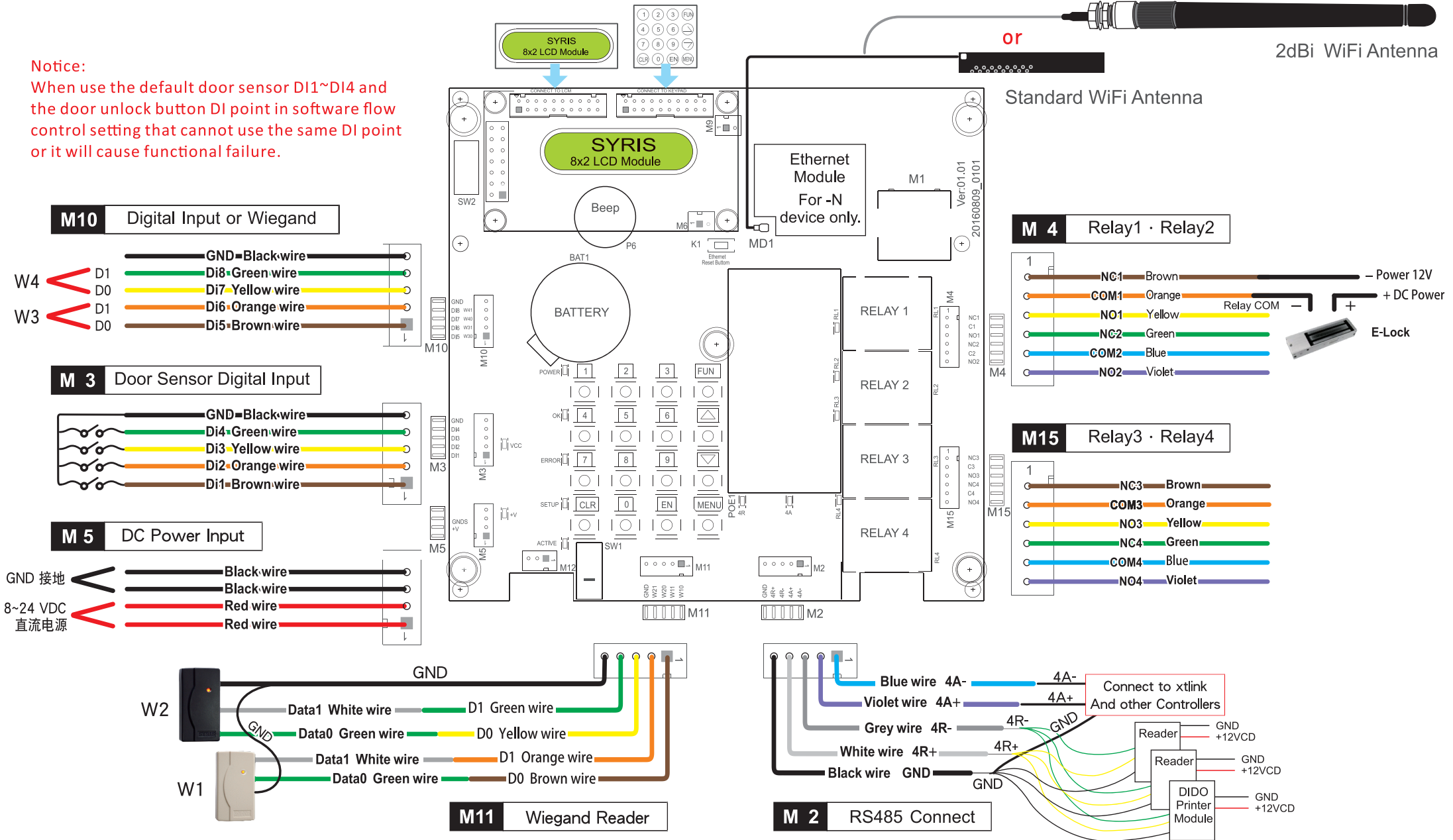


SYRIS TECHNOLOGY CORP.

ADD : 12F, No.16, Sec. 2, Taiwan Blvd., West Dist.,
Taichung City 40354, Taiwan
TEL : +886 -4-2207 -8888
FAX : +886 -4-2207 -9999
E-Mail : service@syris.com
Website : http://www.syris.com



Notice:
When use the default door sensor DI1~DI4 and the door unlock button DI point in software flow control setting that cannot use the same DI point or it will cause functional failure.



1. DI1~DI4 are assigned and activated to be door sensor for Door1~Door4 as factory default.
2. DI5~DI8 are assigned and activated to be push button using for Door1~Door4 as factory default.
3. Wiegand WIE3(4) use the same input points with DI5、6(DI7、8). User only can choose one of them to activate at the same time.

4. WIE1~WIE2 are used for Wiegand input of Door1~Door2.(ID1~ID2)
5. Default module type is S1,ID(01).
6. Our products can modify it with tool that is available via <http://syris.com>

