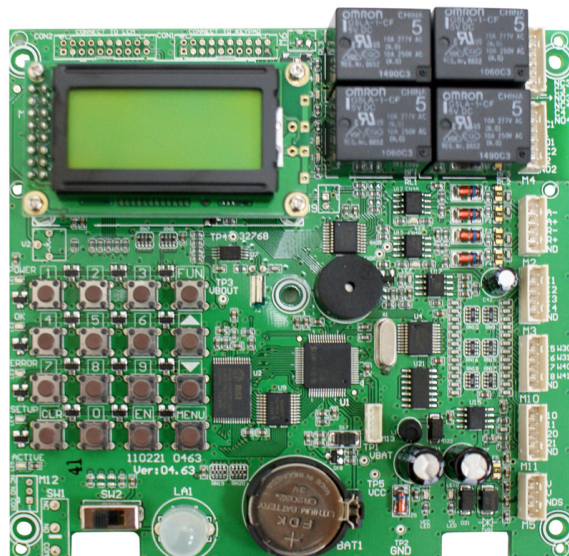


# Install and Operation Instructions

## **SY230NT-PV4 / SV4**

### **Serial Controller**



### **SYRIS Technology Corp.**

ADD : 12F, No.16, Sec. 2, Taiwan Blvd., West Dist.,  
Taichung City 40354, Taiwan

TEL : +886-4-2207-8888

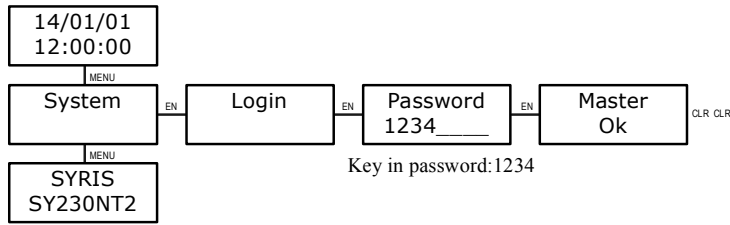
FAX : +886-4-2207-9999

E-Mail : [service@syris.com](mailto:service@syris.com)

Website : <http://www.syris.com>

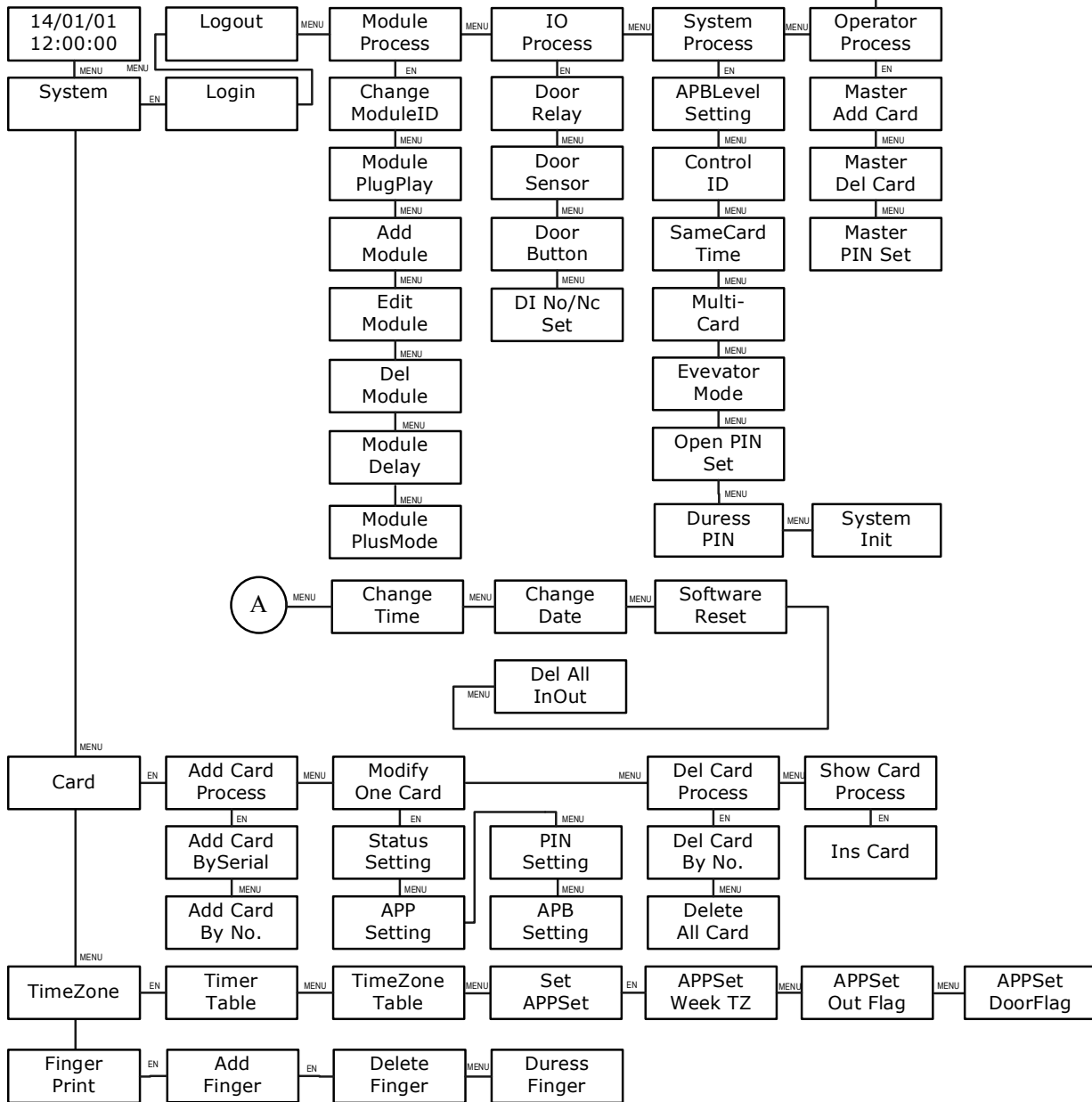
# SY230NT Serial Menu Structure

## Login System



- EN : Enter Key
- ▼ : Up Key
- ▲ : Down Key
- CLR : Clear Key(Return)
- MENU : Menu Key

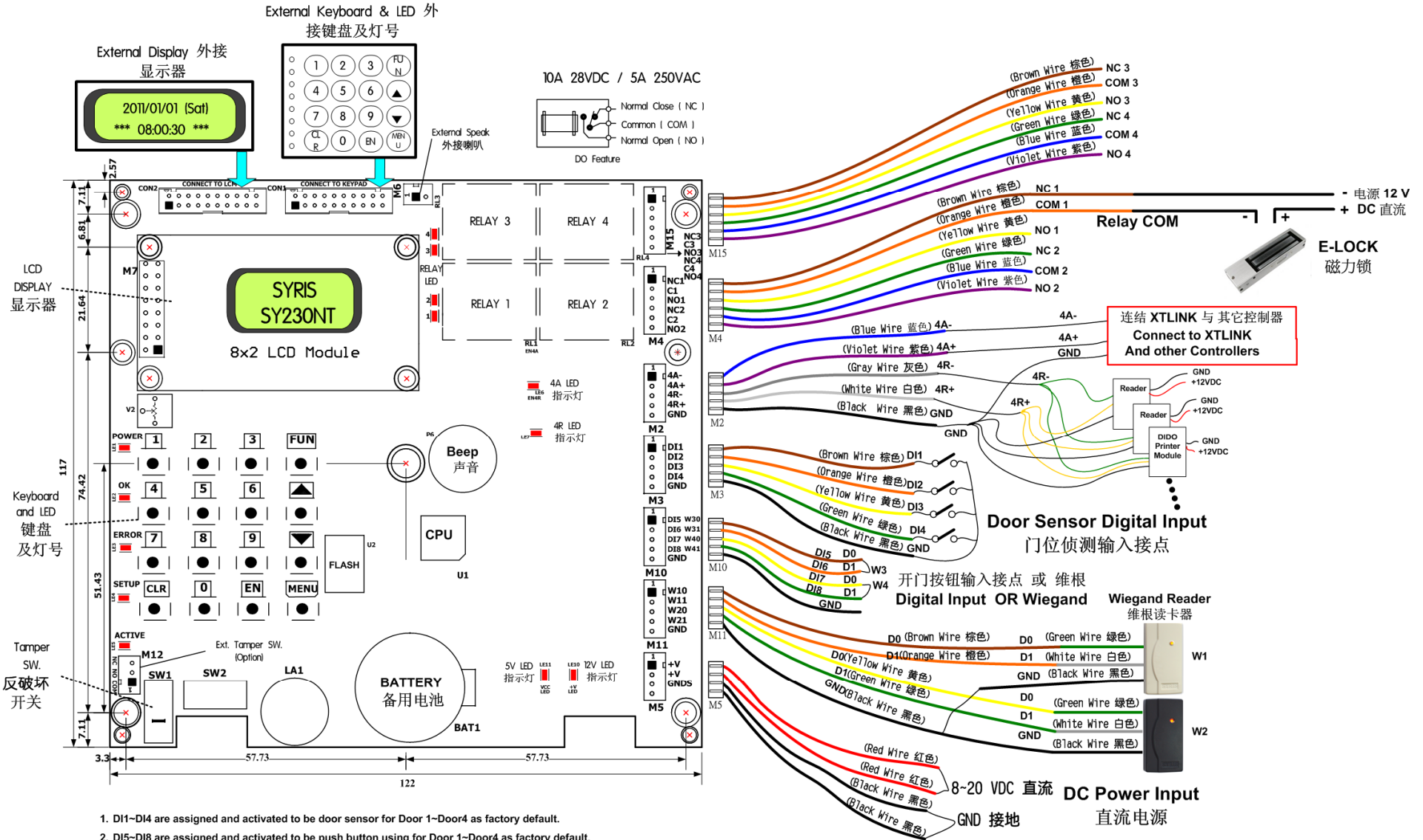
## Menu Struct



# SY230NT 2/4 – PV4 / SV4 Serial Controller Specification

Items	Specs	Items	Specs
<b>Number of cards (holder name) /records</b>	9,999 / 4,100	<b>Controller ID</b>	0001 - 9999
<b>Number of readers</b>	4(2in,2out)、8 (4in,4out)	<b>Indicator</b>	8 LED
<b>Door control</b>	2 / 4	<b>Keypad input</b>	16 key keypad
<b>Reader technologies</b>	SYRIS RS485 / Wiegand (2 / 4)	<b>LCD display</b>	8 x 2 / 16 x 2
<b>Baud rate</b>	19,200 bps ( 4,800 ~ 115,200bps)	<b>Speaker output</b>	Beep built-in / Speak 0.5 W
<b>Input Points</b>	4/ 8 (Expandable to 128) (DI5~ DI8 and W3~W4 shared)		
<b>Communication connection</b>	RS485 (4A, 4R), Wiegand (compatible with 26/32/34/35/37/42/50/66 bit)		
<b>Control relay output</b>	2 / 4 (Expandable to 128)	<b>Anti-pass back</b>	Up to 3 level of local and/or group anti-pass back
<b>Communication ports</b>	RS485, 2 Ports	<b>Operating temperature</b>	-20℃to 70℃
<b>Timer / Time Zone</b>	32Timer / 60 Time zones	<b>Storage temperature</b>	-40℃to 80℃
<b>Group and APP Set / Holidays</b>	64 Group / 366 holidays	<b>Humidity</b>	10% to 95 %
<b>Dimensions (mm)</b>	122.5(W) x 117(H) x 25(D) 137(W) x 180(H) x 54(D)	<b>Power supply</b>	DC 8V to 24V
		<b>Power consumption</b>	0.5 W / 2.5 W

# SY230NT-PV4 / SV4 SERIAL CONTROLLER WIRING DIAGRAM 控制器接线图



1. DI1~DI4 are assigned and activated to be door sensor for Door 1~Door4 as factory default.
2. DI5~DI8 are assigned and activated to be push button using for Door 1~Door4 as factory default.
3. Wiegand WIE3(4) use the same input points with DI5 - 6(DI7 - 8). User only can choose one of them to activate at the same time.
4. WIE1~WIE2 are used for Wiegand input of Door 1~Door 2.(ID1~ID2)
5. Default module type is S1, ID(01).
6. Factory default date is set as 2011/01/01. User can modify it with tool that is available via <http://svris.com>.

**Notice:**  
 When use the default door sensor DI1~DI4 and the door unlock button DI point in software flow control setting that cannot use the same DI point or it will cause functional failure.