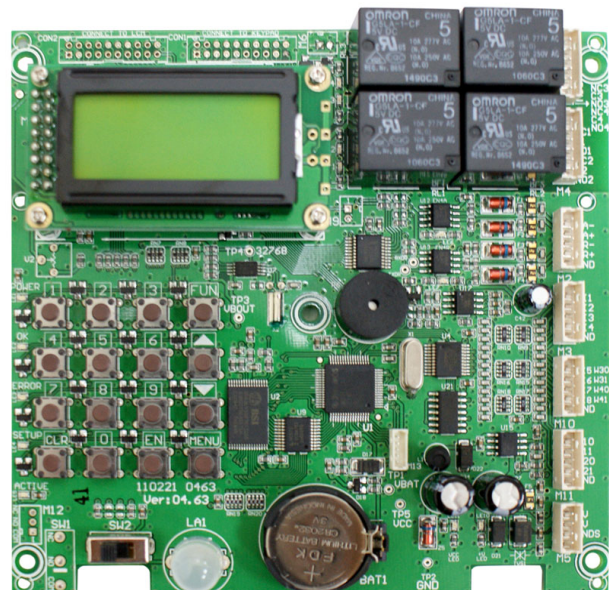


Install and Operation Instructions

SY230NT-PV4 / SV4

Serial Controller



SYRIS Technology Corp.

ADD : 12F, No. 12, Sec. 1, Taijunggang Rd.

Taichung, Taiwan (403)

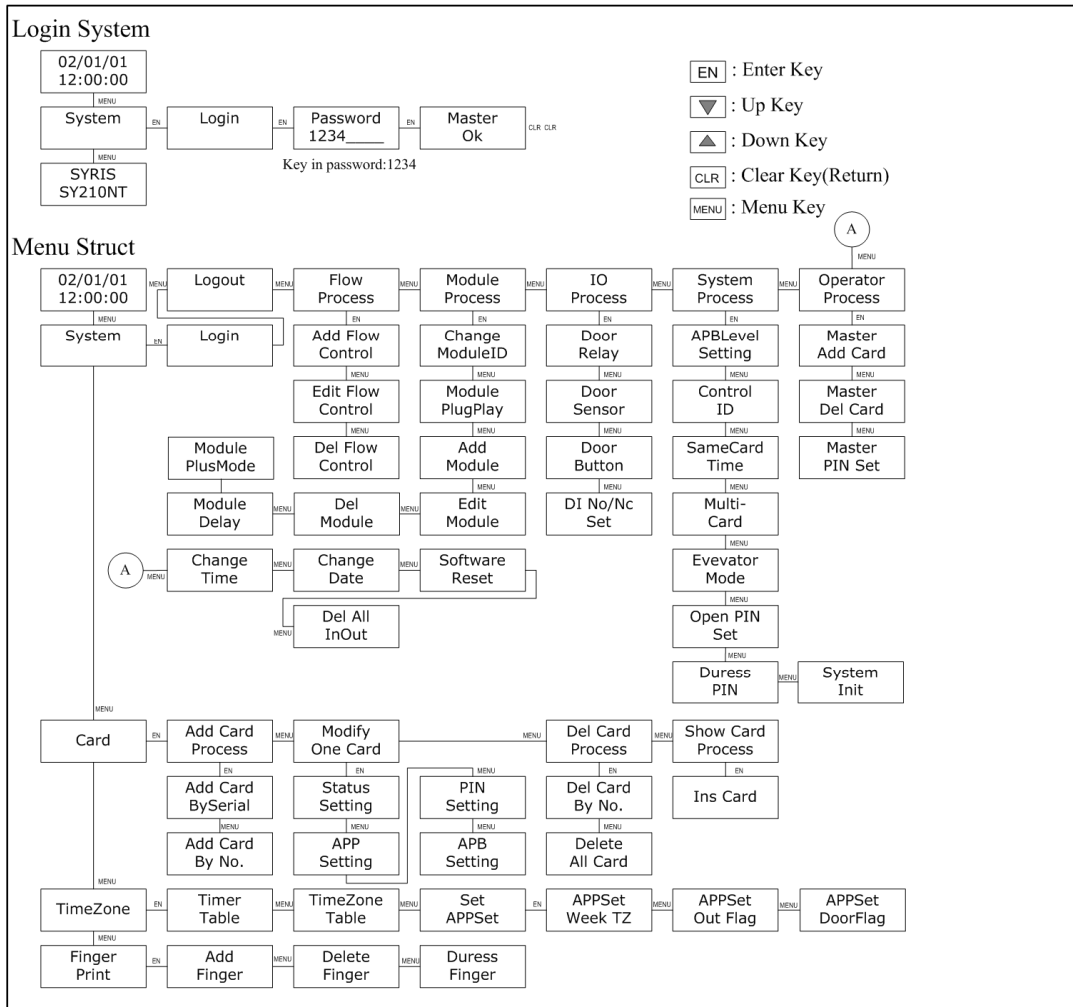
TEL : +886-4-2207-8888

FAX : +886-4-2207-9999

E-Mail : service@syris.com

Website : <http://www.syris.com>

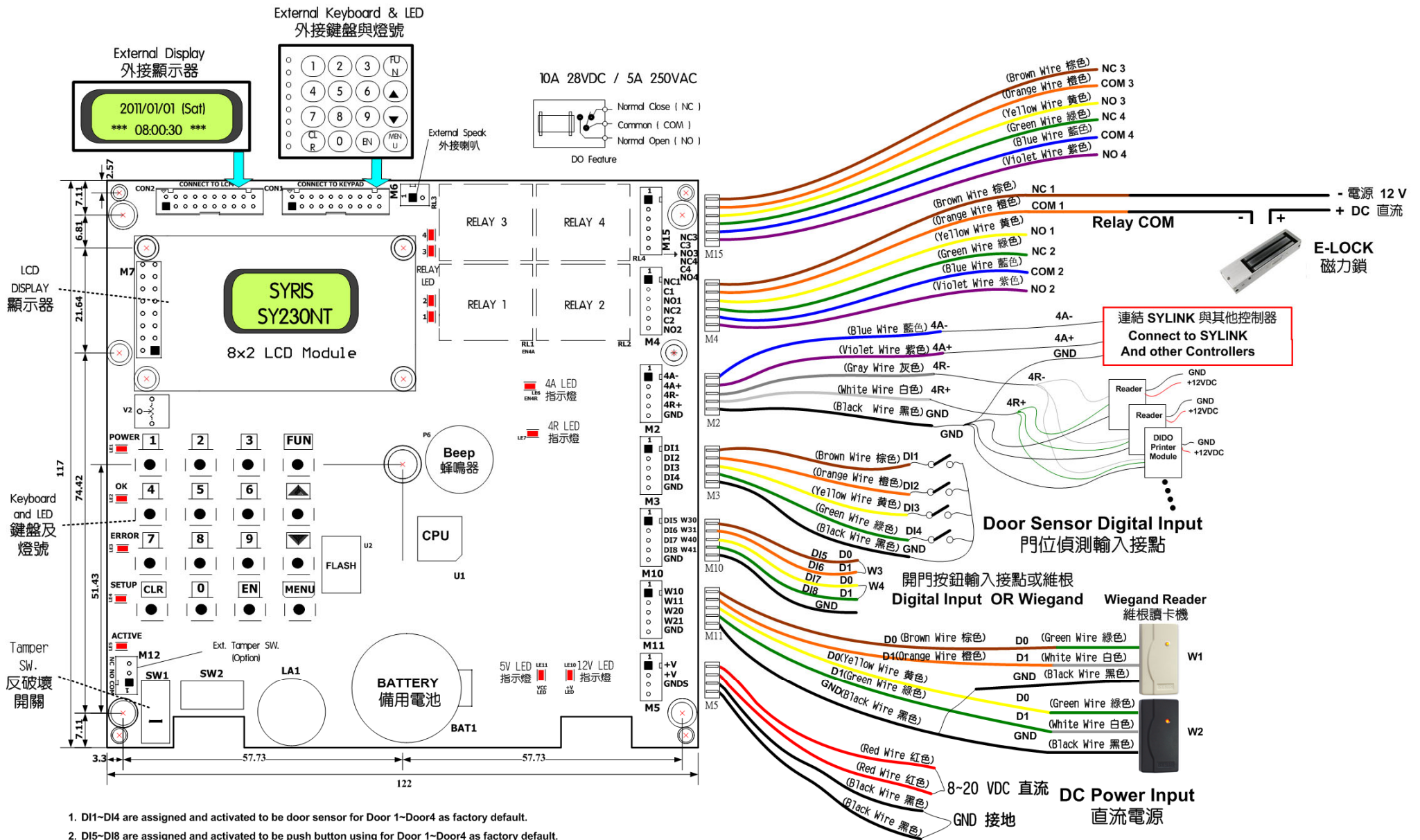
SY230NT Serial Menu Structure



SY230NT 2/4 – PV4 / SV4 Serial Controller Specification

Items	Specs	Items	Specs
Number of cards (holder name) /records	9,999 / 4,100	Controller ID	0001 - 9999
Number of readers	4(2in,2out)、8 (4in,4out)	Indicator	8 LED
Door control	2 / 4	Keypad input	16 key keypad
Reader technologies	SYRIS RS485 / Wiegand (2 / 4)	LCD display	8 x 2 / 16 x 2
Baud rate	19,200 bps (4,800 ~ 115,200bps)	Speaker output	Beep built-in / Speak 0.5 W
Input Points	4/ 8 (Expandable to 128) (DI5~ DI8 and W3~W4 shared)		
Communication connection	RS485 (4A, 4R), Wiegand (compatible with 26/32/34/35/37/42/50/66 bit)		
Control relay output	2 / 4 (Expandable to 128)	Anti-pass back	Up to 3 level of local and/or group anti-pass back
Communication ports	RS485, 2 Ports	Operating temperature	-20℃to 70℃
Timer / Time Zone	32Timer / 60 Time zones	Storage temperature	-40℃to 80℃
Group and APP Set / Holidays	64 Group / 366 holidays	Humidity	10% to 95 %
Dimensions (mm)	122.5(W) x 117(H) x 25(D) 137(W) x 180(H) x 54(D)	Power supply	DC 8V to 24V
		Power consumption	0.5 W / 2.5 W

SY230NT-PV4 / SV4 SERIAL CONTROLLER WIRING DIAGRAM 控制器接線圖



1. DI1~DI4 are assigned and activated to be door sensor for Door 1~Door4 as factory default.
2. DI5~DI8 are assigned and activated to be push button using for Door 1~Door4 as factory default.
3. Wiegand WIE3(4) use the same input points with DI5 - 6(DI7 - 8). User only can choose one of them to activate at the same time.
4. WIE1~WIE2 are used for Wiegand input of Door 1~Door 2.(ID1-ID2)
5. Default module type is S1, ID(01).
6. Factory default date is set as 2011/01/01. User can modify it with tool that is available via <http://syris.com>.

Notice:
When use the default door sensor DI1~DI4 and the door unlock button DI point in software flow control setting that cannot use the same DI point or it will cause functional failure.