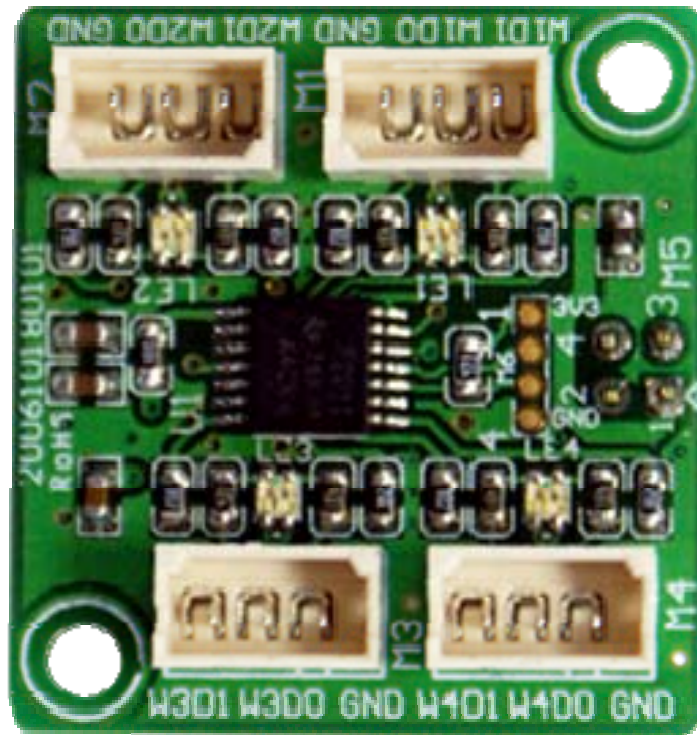


# Install and Operation Instructions Wiegand Module



## **SYRIS Technology Corp.**

ADD : 12F, No. 12, Sec. 1, Taijungang Rd.

Taichung, Taiwan (403)

TEL : +886-4-2207-8888

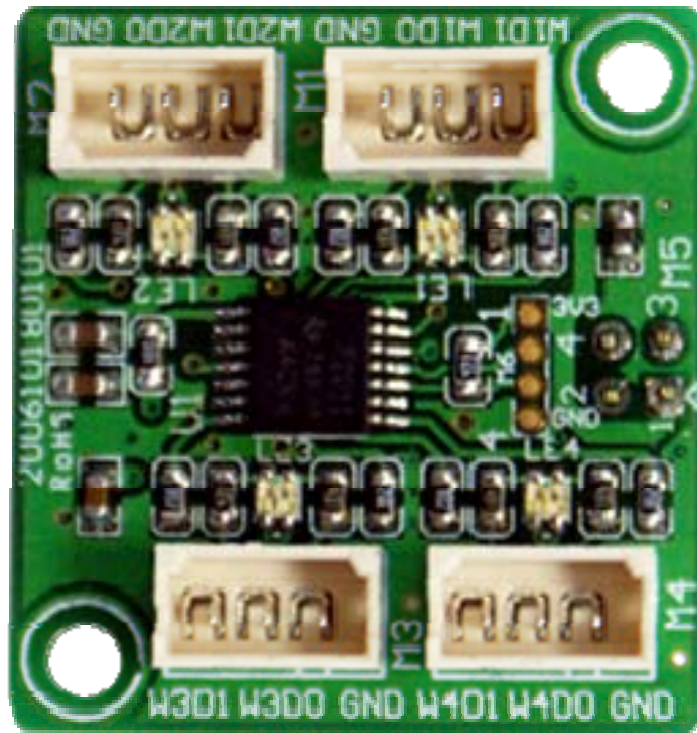
FAX : +886-4-2207-9999

E-Mail : [service@syris.com](mailto:service@syris.com)

Website : <http://www.syris.com>

Ver: 0103

# Install and Operation Instructions Wiegand Module



## **SYRIS Technology Corp.**

ADD : 12F, No. 12, Sec. 1, Taijunggang Rd.

Taichung, Taiwan (403)

TEL : +886-4-2207-8888

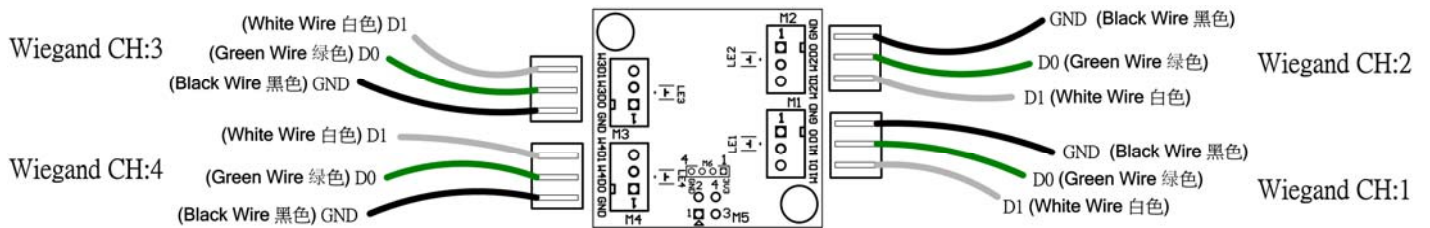
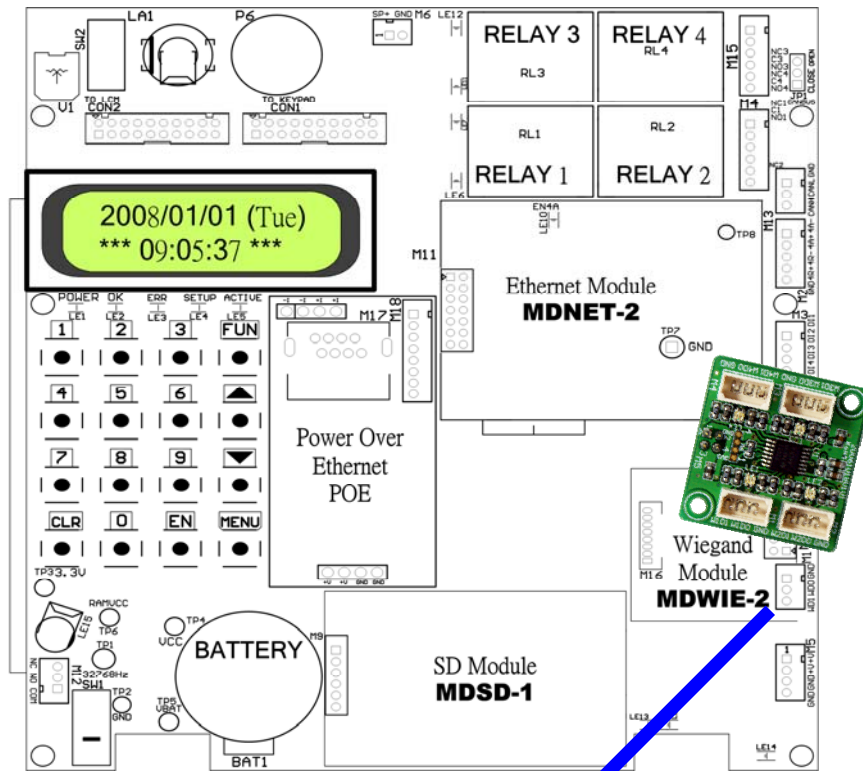
FAX : +886-4-2207-9999

E-Mail : [service@syris.com](mailto:service@syris.com)

Website : <http://www.syris.com>

Ver: 0103

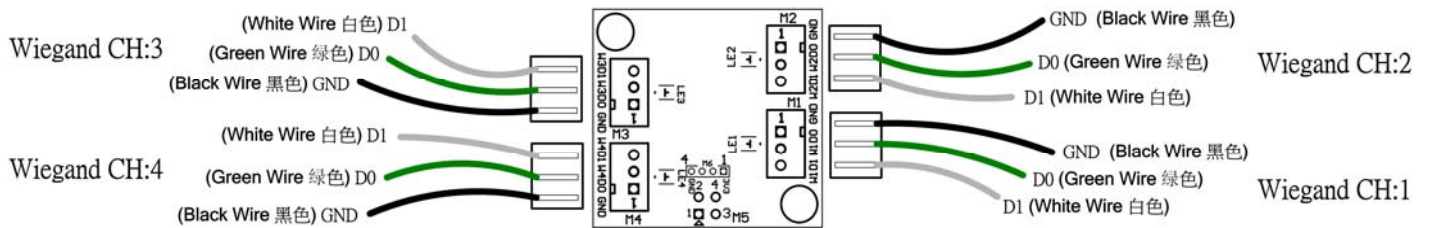
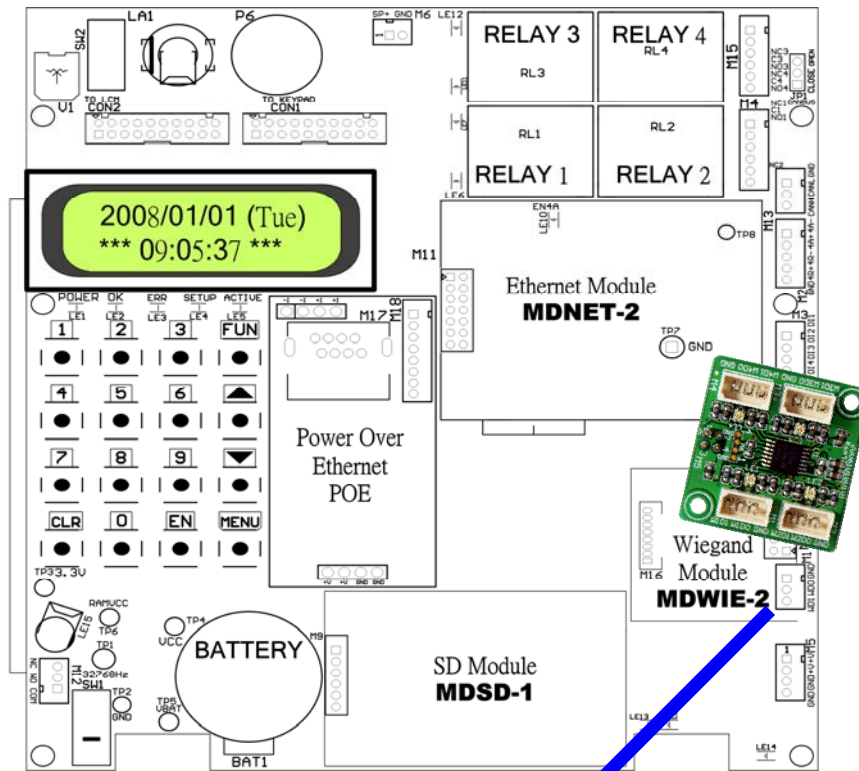
# The Appliance of MDWIE-2 with SY210NT-V5 controller



## MDWIE-2 Specification

Items / Specs	MDWIE-2
Interface	Wiegand
Wiegand formats	Wiegand 26;32;34;35;37;42;50 bits formats
Wiegand Channel	4
Operating temperature	-20 °C to 70 °C
Storage temperature	-30 °C to 80 °C
Power supply input	3.3V DC
Dimensions (mm)	26W x 27H x 7D

# The Appliance of MDWIE-2 with SY210NT-V5 controller



## MDWIE-2 Specification

Items / Specs	MDWIE-2
Interface	Wiegand
Wiegand formats	Wiegand 26;32;34;35;37;42;50 bits formats
Wiegand Channel	4
Operating temperature	-20 °C to 70 °C
Storage temperature	-30 °C to 80 °C
Power supply input	3.3V DC
Dimensions (mm)	26W x 27H x 7D