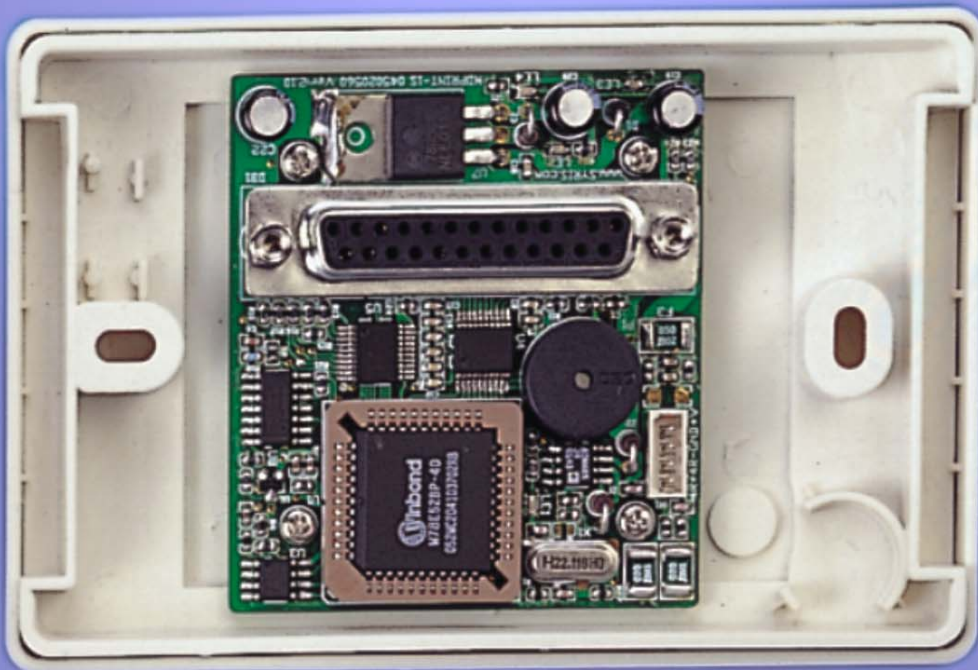


Install and Operation Instructions MDPRINT-1S Module

RS-485 to Parallel Port Converter
Baud rate 4,800-115,200 bps



SYRIS Technology Corp.

ADD : 21F-2, No. 12, Sec. 1, Taijunggang Rd.

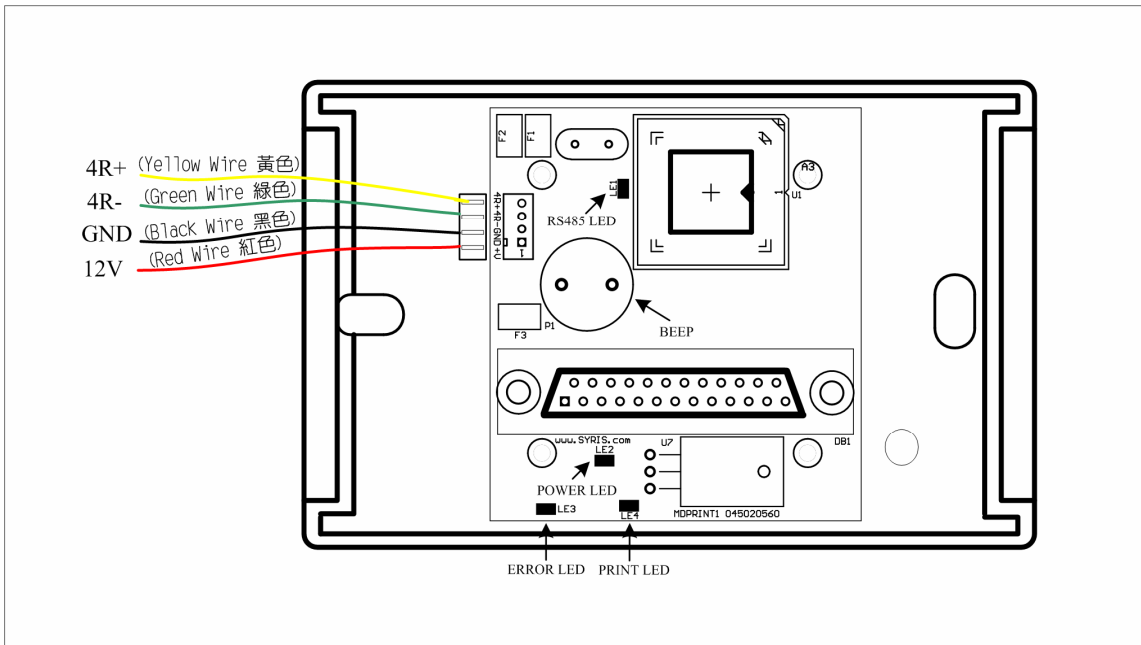
Taichung, Taiwan (403)

TEL : +886-4-2207-8888

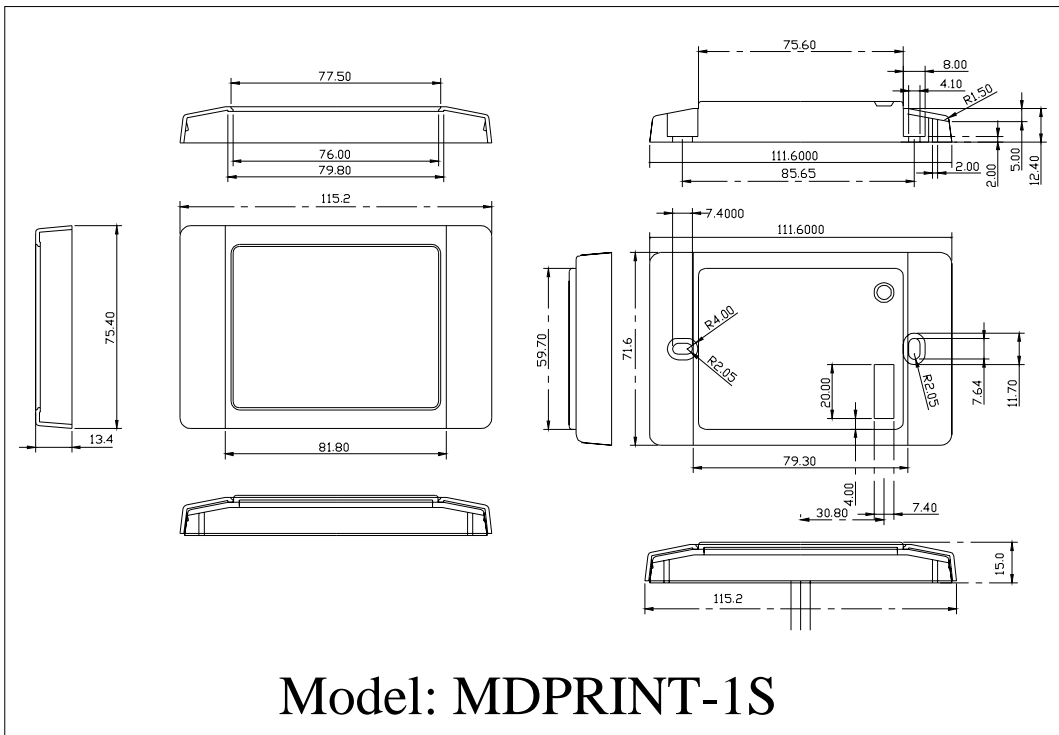
FAX : +886-4-2207-9999

E-Mail : service@syris.com

Website : <http://www.syris.com>



- * Power supply should be regulated linear power supply.
- * The shield must run continuous throughout the installation.



MDPRINT-1S Specification

Items / Specs	MDPRINT-1S
Interface	RS485 formats
Baud rate	19,200 bps (4,800、9,600、19,200、38,400、57,600、115,200)
ID	1 to 99
Parallel Port	Print IEEE-1284 compliant
Indicator	4 LED
Beep	built-in
Color	Beige
Humidity	10% to 95 % (Non-condensing)
Operating temperature	-20°C to 70°C
Storage temperature	-30°C to 80°C
Power supply input	8V to 15V DC
Power consumption	0.5W to 2W
Dimensions (mm)	75W x 115H x 15D

* This specification is preliminary and is subject to change without prior notice.