

Install and Operation Instructions MDNET-5



SYRIS Technology Corp.

ADD : 12F, No. 12, Sec. 1, Taijunggang Rd.

Taichung, Taiwan (403)

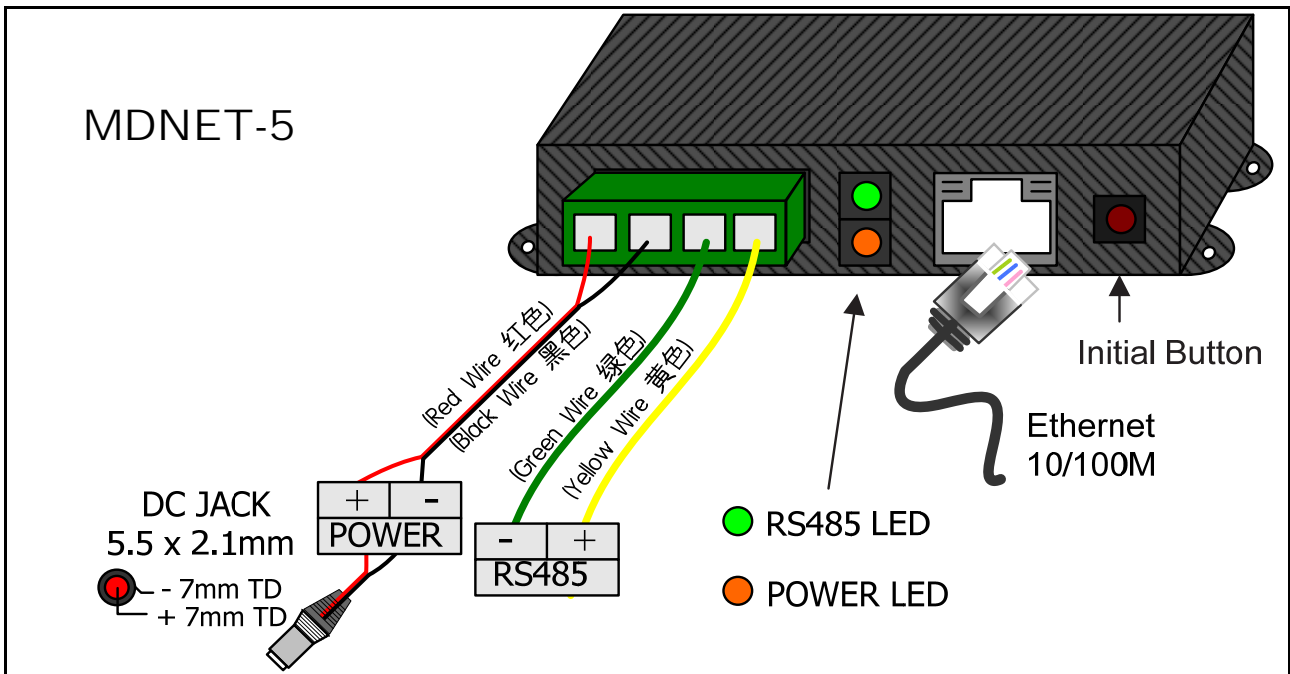
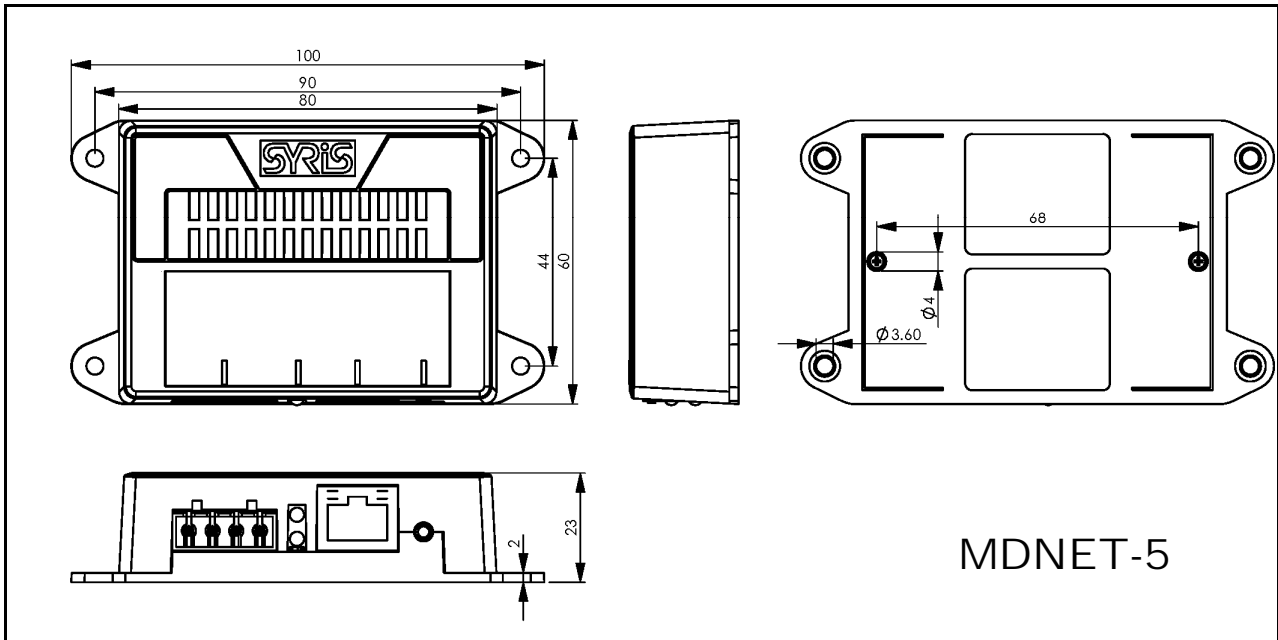
TEL : +886-4-2207-8888

FAX : +886-4-2207-9999

E-Mail : service@syris.com

Website : <http://www.syris.com>

Ver: 0100



MDNET-5 Specifications:

LAN	10BASE-T/100BASE-TX port, 10/100Mbps AutoNegotiation		
TP port	RJ-45 phone jack		
Protocol	TCP Server/Client, UDP		
Interface	RS-485		
Connector port	4 PIN (RS-485+POWER)		
Baud rate	19,200 bps (4,800 · 9,600 · 19,200 · 38,400 · 57,600 · 115,200)		
Parity	None , Event , Odd	Operating temperature	-20°C to 70°C
Data bits / Stop bits	8 / 1	Storage temperature	-30°C to 80°C
Indicator	2 LED (Power , RS485)	Magnetic isolation	1.5KV for Ethernet
color	Black	Power supply input	8V to 15V DC
Operating Humidity	10% to 95% (Non-condensing)	Dimensions (mm)	100W x 60H x 23D

MDNET-5 Connect Help :

1. Reference previous page connection Figure connecting device,
Open the browser to address bar entry the device IP,Can entry the setting screen .
Sure to Click **Submit** enter.

Connecting device in accordance with the previous page wiring diagram

Please input password:

Default Password: 1 2 3 4

Submit

Copyright © SYRIS. All Rights Reserved.

2. Basic

- **Device Name** : Set Device Name.
- **Device ID** : Set ID.
- **RS485 Setup** : Set Transmission / Receiver For Delay Timer.

MDNET5-V7 Configuration:

Basic	Network	Operating Mode	Accessible IPs	Password	Serial	Other
MAC Address:	00-1d-34-44-33-22					
Serial Number:	12059991					
Firmware Version:	0273					
Hardware Version:	0121					

	Current	Select	Modify
Device name:	MDNET-5	<input type="checkbox"/>	<input type="text"/>
Device ID:	0001	<input type="checkbox"/>	0001 (0001-9999)
RS485 Start delay:	1500	<input type="checkbox"/>	1500 (100-9999)us
RS485 End delay:	500	<input type="checkbox"/>	500 (100-9999)us

Submit

Copyright © SYRIS. All Rights Reserved.

3. NETWORK

- **STATIC** : Manually Set IP.
- **DHCP** : Auto Set IP.

MDNET5-V7 Configuration:

Basic	Network	Operating Mode	Accessible IPs	Password	Serial	Other
MAC Address:	00-1d-34-44-33-22					
Serial Number:	12059991					
Firmware Version:	0273					
Hardware Version:	0121					

	Current	Select	Modify
IP Configuration:	Static IP	<input type="checkbox"/>	STATIC ▾
IP Address:	192.168.1.13	<input type="checkbox"/>	<input type="text"/>
Subnet mask:	255.255.255.0	<input type="checkbox"/>	<input type="text"/>
Default gateway:	192.168.1.254	<input type="checkbox"/>	<input type="text"/>
DNS Server1:	N/A	<input type="checkbox"/>	<input type="text"/>
DNS Server2:	N/A	<input type="checkbox"/>	<input type="text"/>

Submit

Copyright © SYRIS. All Rights Reserved.

4. Operating Mode

- **Operating Mode** : Set TCP Server、TCP Client or UDP mod.
- **TCP Server Mode** : Set Local Port,Max Connection can reach to four IP groups.
- **TCP Client Mode** : Set Any Character or Star up mod,Maximum Setting four groups for IP.
- **UDP Mod** : Set Local Port,Maximum Setting four groups for IP.

MDNET5-V7 Configuration:

Basic	Network	Operating Mode	Accessible IPs	Password	Serial	Other
MAC Address:	00-1d-34-44-33-22					
Serial Number:	12059991					
Firmware Version:	0273					
Hardware Version:	0121					
	Current	Select	Modify			
Operating Mode	TCP server Mode	<input type="checkbox"/>	TCP Server mode			
TCP Server Mode	Local TCP Port: 5001 Max Connection 1	<input type="checkbox"/>	Local TCP Port: 5001	Max Connection	1	
TCP Client Mode	Connect Mode : Starup	<input type="checkbox"/>	Connect Mode : Startup			
	Destination IP 01: N/A	<input type="checkbox"/>	Destination IP 01:	Port:	5001	
	Destination IP 02: N/A	<input type="checkbox"/>	Destination IP 02:	Port:	5001	
	Destination IP 03: N/A	<input type="checkbox"/>	Destination IP 03:	Port:	5001	
UDP Mode	Local UDP Port: 0	<input type="checkbox"/>	Local UDP Port:	5001		
	Destination IP 01: N/A	<input type="checkbox"/>	Destination IP 01:	Port:	5001	
	Destination IP 02: N/A	<input type="checkbox"/>	Destination IP 02:	Port:	5001	
	Destination IP 03: N/A	<input type="checkbox"/>	Destination IP 03:	Port:	5001	
	Destination IP 04: N/A	<input type="checkbox"/>	Destination IP 04:	Port:	5001	
Submit						

Copyright © SYRIS. All Rights Reserved.

5. Accessible IPs : Set four groups have access to IP.

MDNET5-V7 Configuration:

Basic	Network	Operating Mode	Accessible IPs	Password	Serial	Other
MAC Address:	00-1d-34-44-33-22					
Serial Number:	12059991					
Firmware Version:	0273					
Hardware Version:	0121					
	Current	Select	Modify			
Accessible IP 01:	N/A	<input type="checkbox"/>				
Accessible IP 02:	N/A	<input type="checkbox"/>				
Accessible IP 03:	N/A	<input type="checkbox"/>				
Accessible IP 04:	N/A	<input type="checkbox"/>				
Submit						

Copyright © SYRIS. All Rights Reserved.

6. PASSWORD : Set password to enter the control mode.

MDNET5-V7 Configuration:

Basic	Network	Operating Mode	Accessible IPs	Password	Serial	Other
MAC Address:	00-1d-34-44-33-22					
Serial Number:	12059991					
Firmware Version:	0273					
Hardware Version:	0121					
Password:	<input type="text"/>					<input type="button" value="Submit"/>

Copyright © SYRIS. All Rights Reserved.

7. Serial : Set Baud rate (Default 19200,e,8,1).

MDNET5-V7 Configuration:

Basic	Network	Operating Mode	Accessible IPs	Password	Serial	Other
MAC Address:	00-1d-34-44-33-22					
Serial Number:	12059991					
Firmware Version:	0273					
Hardware Version:	0121					
	Current		Modify			
Serial :	19200 e 8 1		115200,n,8,1			
<input type="button" value="Submit"/>						

Copyright © SYRIS. All Rights Reserved.

8. Other

- **Data Packing** : Set paragraph Characters (Received to a specific character,Then send the message before the character)
- **Force Tx Timeout** : If you has not been receive a specified paragraphs characters,Sent the message after a how long time.
- **Miscellaneous** : TCP Alive Check Timeout—connection Reach Set the time out after disconnection ; Inactivity Timeout—Set time without data transmission (UART) that is broken.

MDNET5-V7 Configuration:

Basic	Network	Operating Mode	Accessible IPs	Password	Serial	Other
MAC Address:	00-1d-34-44-33-22					
Serial Number:	12059991					
Firmware Version:	0273					
Hardware Version:	0121					
	Current		Select	Modify		
Data Packing (Optional)	Delimiter 1:	0d-Hex	<input type="checkbox"/>	Delimiter 1:	0d (0-ff) Hex	
	Delimiter 2:	N/A-Hex	<input type="checkbox"/>	Delimiter 2:	00 (0-ff) Hex	
	Force Tx Timeout:	10-ms	<input type="checkbox"/>	Force Tx Timeout:	10 (0-65535) ms	
Miscellaneous (Optional)	TCP Alive Check Timeout:	N/A-min	<input type="checkbox"/>	TCP alive timeout:	0 (0-255) min	
	Inactivity Timeout:	N/A-ms	<input type="checkbox"/>	TCP activity timeout:	0 (0-65535) ms	
<input type="button" value="Submit"/>						

Copyright © SYRIS. All Rights Reserved.