

Install and Operation Instructions MDDIDO-1S Module

2 Relay output / 4 Voltage free input
RS-485 Interface
Baud rate 4,800-115,200 bps



SYRIS Technology Corp.

ADD : 12F, No. 12, Sec. 1, Taijunggang Rd.

Taichung, Taiwan (403)

TEL : +886-4-2207-8888

FAX : +886-4-2207-9999

E-Mail : service@syris.com

Website : <http://www.syris.com>

Install and Operation Instructions MDDIDO-1S Module

2 Relay output / 4 Voltage free input
RS-485 Interface
Baud rate 4,800-115,200 bps



SYRIS Technology Corp.

ADD : 12F, No. 12, Sec. 1, Taijunggang Rd.

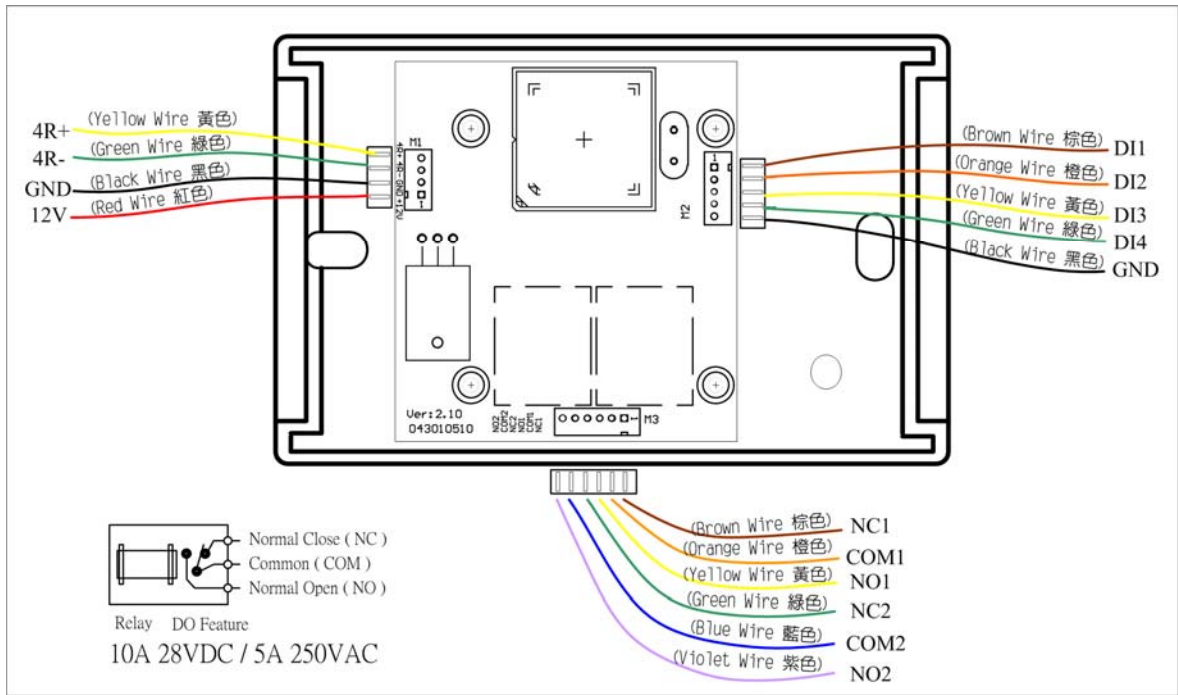
Taichung, Taiwan (403)

TEL : +886-4-2207-8888

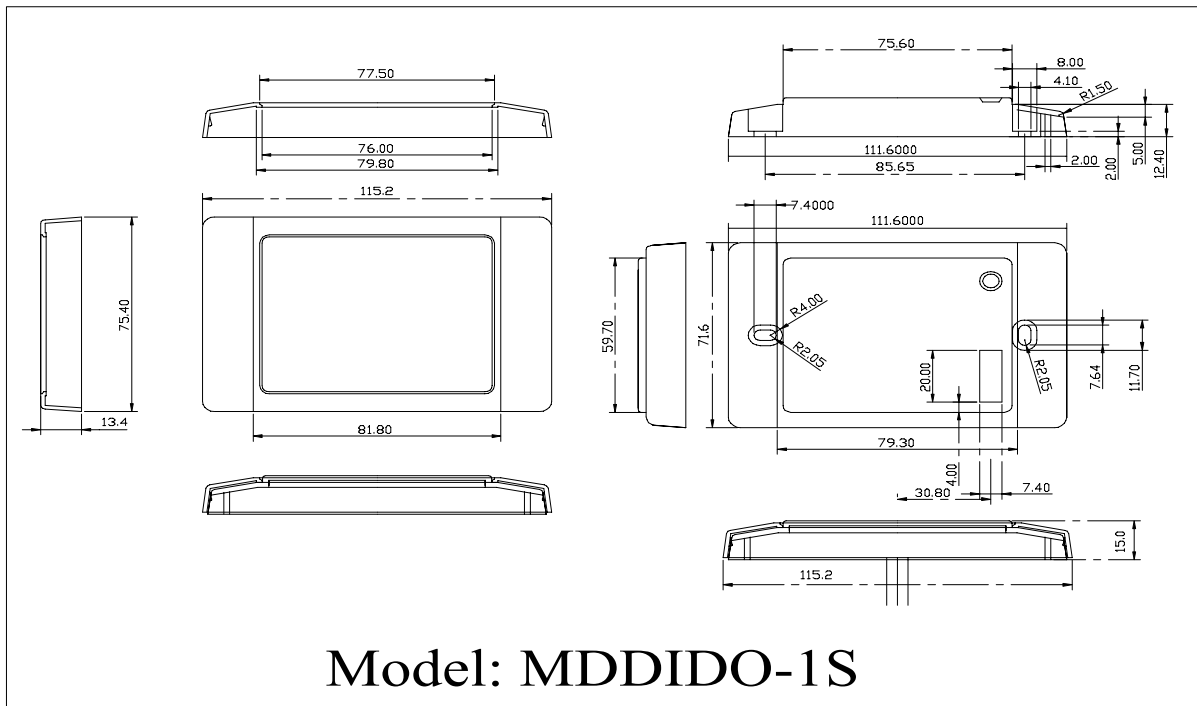
FAX : +886-4-2207-9999

E-Mail : service@syris.com

Website : <http://www.syris.com>



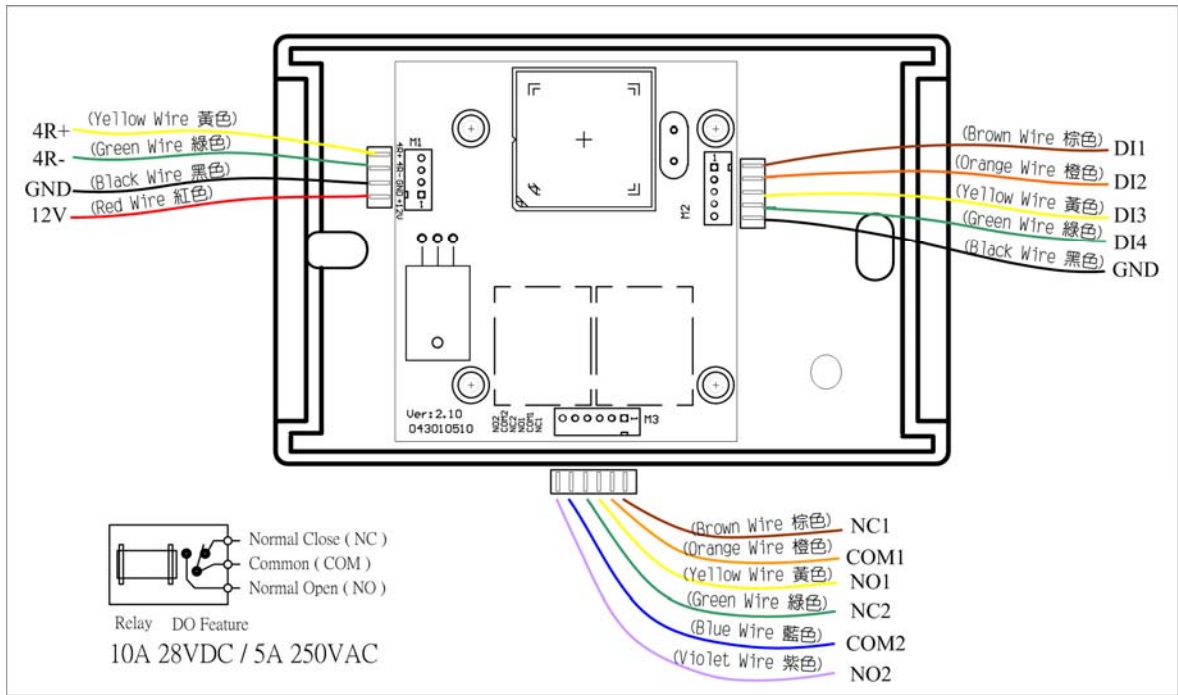
- * Power supply should be regulated linear power supply.
- * The shield must run continuous throughout the installation.



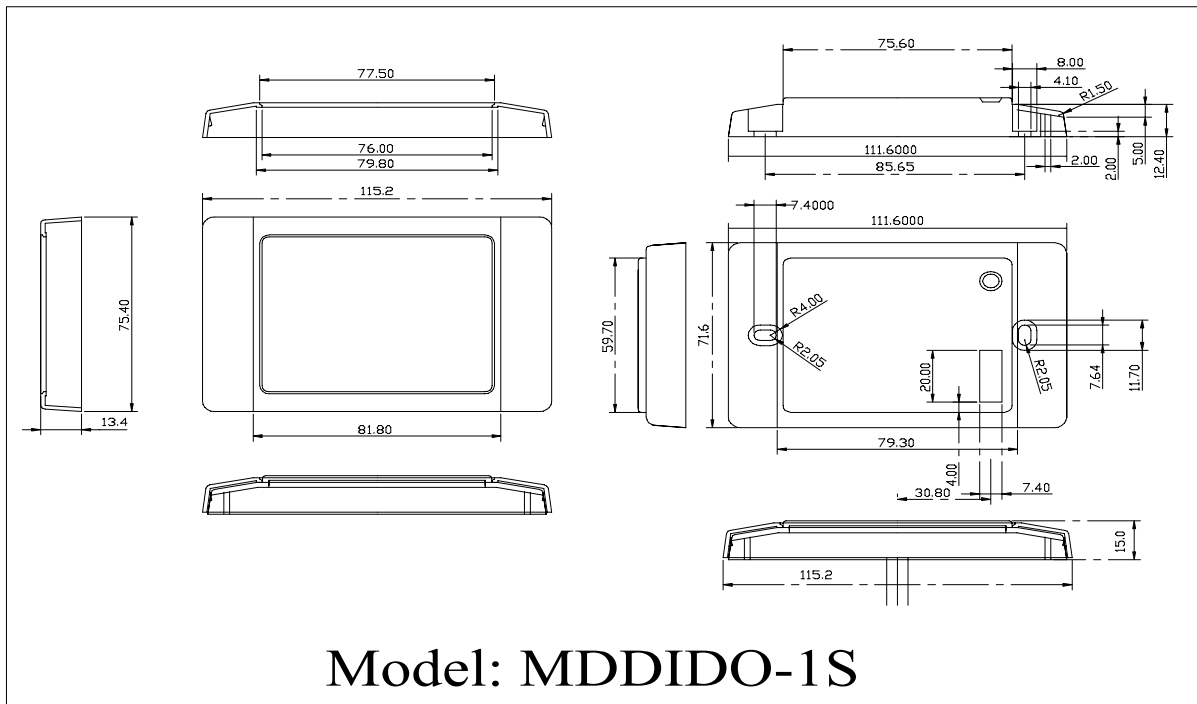
MDDIDO-1S Specification

Items / Specs	MDDIDO-1S
Interface	RS485 format
Baud rate	19,200 bps (4,800、9,600、19,200、38,400、57,600、115,200)
ID	1 - 8 or 01 - 99
Input	4 voltage free
Output	2 relay output
Indicator	3 LED
Color	Beige
Operating temperature	-20°C to 70°C
Storage temperature	-30°C to 80°C
Power supply input	8V to 15V DC
Dimensions (mm)	75W x 115H x 15D

* This specification is preliminary and is subject to change without prior notice.



- * Power supply should be regulated linear power supply.
- * The shield must run continuous throughout the installation.



MDDIDO-1S Specification

Items / Specs	MDDIDO-1S
Interface	RS485 format
Baud rate	19,200 bps (4,800、9,600、19,200、38,400、57,600、115,200)
ID	1 - 8 or 01 - 99
Input	4 voltage free
Output	2 relay output
Indicator	3 LED
Color	Beige
Operating temperature	-20°C to 70°C
Storage temperature	-30°C to 80°C
Power supply input	8V to 15V DC
Dimensions (mm)	75W x 115H x 15D

* This specification is preliminary and is subject to change without prior notice.