

MDNET-5

Ethernet to RS485 Converter

Feature

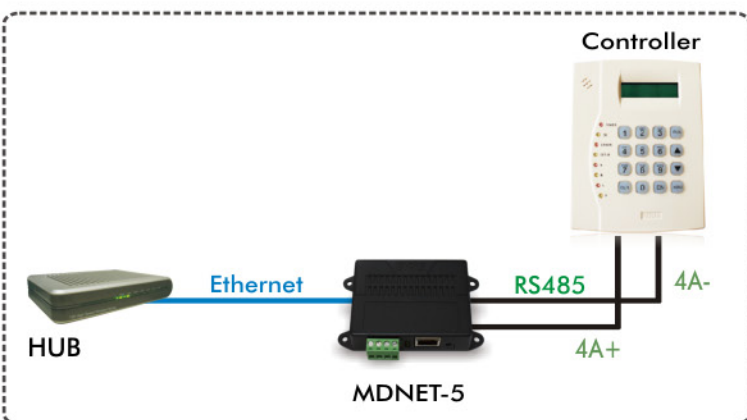
- Multi-Controller Link.
- Remote Setting via Software/ Web Browser.
- Update Firmware On-Line.



Specification

Specs / Item	MDNET-5
Output format	RS485
Baud rate	4,800 ~ 115,200 bps
TP port	RJ-45
Connector port	4 PIN Plug-in Terminal Connector(RS485)
Operating mode	TCP Server · TCP Client · UDP
Protocols	TCP · IP · UDP · ICMP · ARP
LED Indicator	2 LED
Expand modules	SYRIS series
Networks	10BASE-T/100BASE-TX port,10/100Mbps (Auto-detecting)
Configuration	MDNET Tools & Web Browser (IE, Firefox)
Operating temperature	-20°C ~ +70°C
Input voltage	8V ~ 15V DC / 0.5 ~ 2W
Dimensions (W x H x D)	77 x 59 x 22.5 mm

❖ This specification is preliminary and subject to change without prior notice.



Ordering Information

Item	Type
MDNET-5	Ethernet to RS485 Converter

SYRIS
ACCESSORY
 SYRIS Security System

