

MDNET-1

Ethernet to RS232/RS485 Converter

Feature

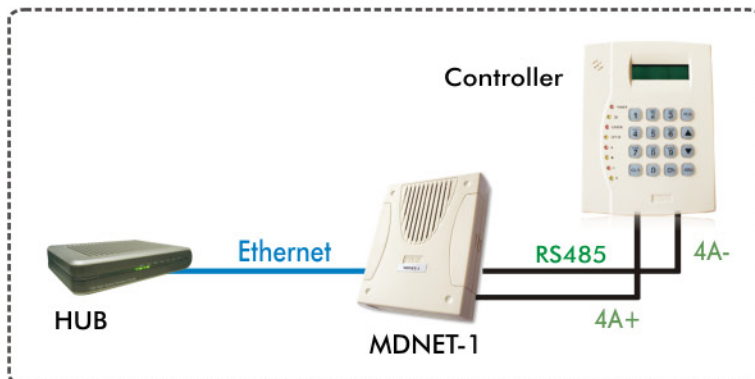
- Dual modulation Interface.
- Multi-Controller Link.
- Remote Setting via Software.
- Update Firmware On-Line.



Specification

Specs / Item	MDNET-1
Output format	RS232/RS485 (Auto-detecting)
Baud rate	4,800 ~ 115,200 bps
TP port	RJ-45
Connector port	9 PIN D-SUB
Operating mode	TCP Server , TCP Client , UDP
Protocols	TCP , IP , UDP , ICMP , ARP
LED Indicator	4 LED
Expand modules	SYRIS series
Networks	10BASE-T/100BASE-TX port, 10/100Mbps (Auto-detecting)
Configuration	MDNET Tools & Web Browser (IE, Firefox)
Operating temperature	-20°C ~ +70°C
Input voltage	8V ~ 15V DC / 0.5 ~ 2W
Dimensions(W x H x D)	110 x 136 x 32.5 mm

❖ This specification is preliminary and subject to change without prior notice.



Ordering Information

Item	Type
MDNET-I-BSB	Ethernet to RS232/RS485 Converter

Copyright © 2012 SYRIS Technology Corp.

SYRIS
ACCESSORY
 SYRIS Security System